



Asst. #10830  
Item #10831

# Z-REX BLASTER™



**WARNING:**  
**CHOKING HAZARD-Small parts.**  
**Not for Children under 3 years.**

**CAUTION: PLEASE READ BEFORE PLAYING WITH TOY**

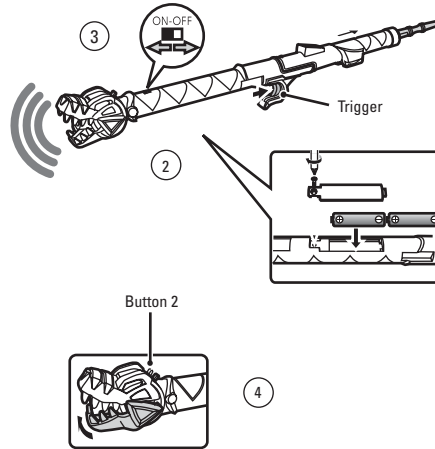
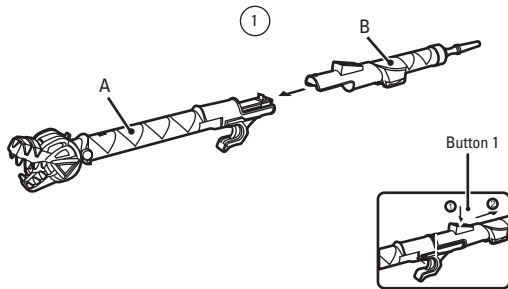
- **Do not:** 1) aim toy at anyone, 2) hit anyone with toy, 3) poke anyone with toy, 4) swing toy at anyone, 5) step on toy.
- **Be careful** not to pinch fingers with hinged parts of toy.

**CAUTION:** Keep batteries away from children. Batteries may be harmful if swallowed. Requires 3 LR44 batteries. Batteries are included. **NOTE:** Do not mix old and new batteries. Do not mix alkaline, standard (carbon-zinc) or rechargeable (nickel-cadmium) batteries. Dispose of used batteries properly.

## HOW TO PLAY WITH INDIVIDUAL WEAPONS

### T-REX ROD

1. Attach parts A and B together as shown. Push button to release.
2. Insert 2 AAA batteries making sure to line up the + and - indicators. Replace battery cover, and turn screw clockwise until secure.
3. Switch ON/OFF lever to ON and press trigger to activate sound.
4. Push button 2 to open T-REX mouth as shown.



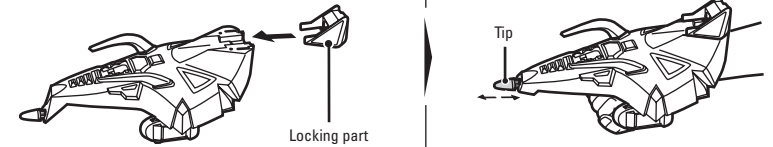
### PTERA DAGGER

Move grip all the way back and open jaw as shown.



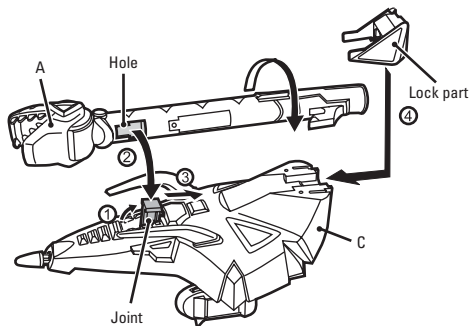
### TRICERA SHIELD

1. Attach locking part as shown.
2. Tip may be pushed in as shown.

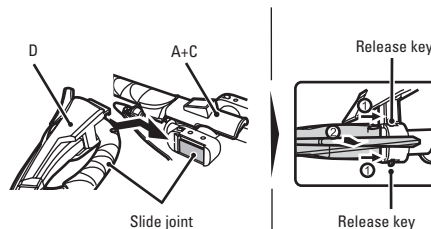


## HOW TO COMBINE WEAPONS

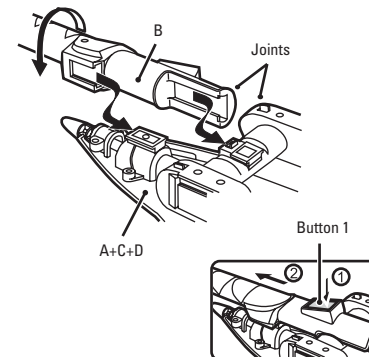
1. Attach part A to part C by connecting hole to joint as shown. Lock and secure by attaching lock part.



2. Attach slide joint on part D to slide joint on piece A+C+D as shown. To release lock, push both release keys at the same time, then slide across.



3. Attach part B to piece A+C+D by sliding joints as shown. Push button 1 to release.



4. Press trigger to activate sounds.

