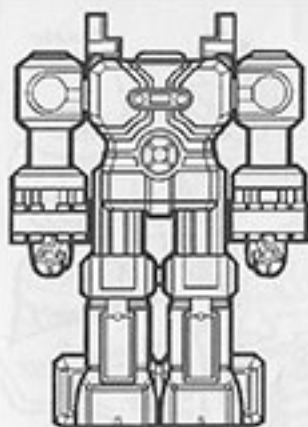


The numbers shown in the circles below are sticker numbers. Circled numbers in parentheses indicate the sticker goes on the opposite side. The numbers in the rectangles are instruction steps.

RED BATTLEZORD ELEMENTS

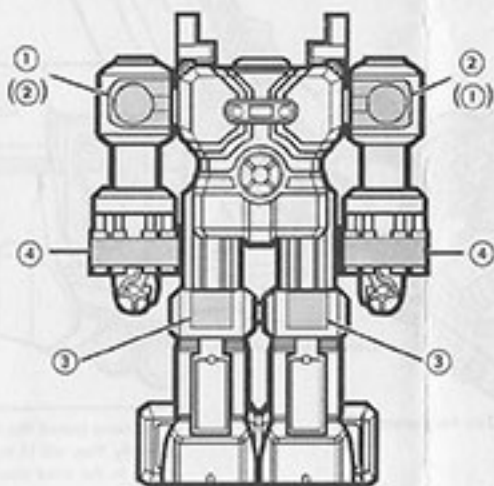


Red Battlezord Body



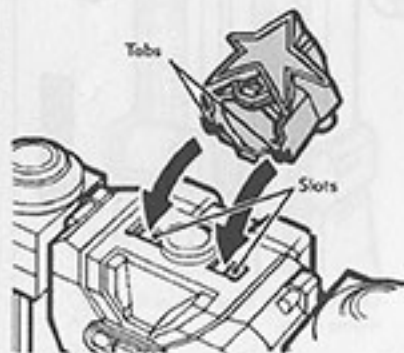
Red Battlezord Helmet

STICKER PLACEMENT



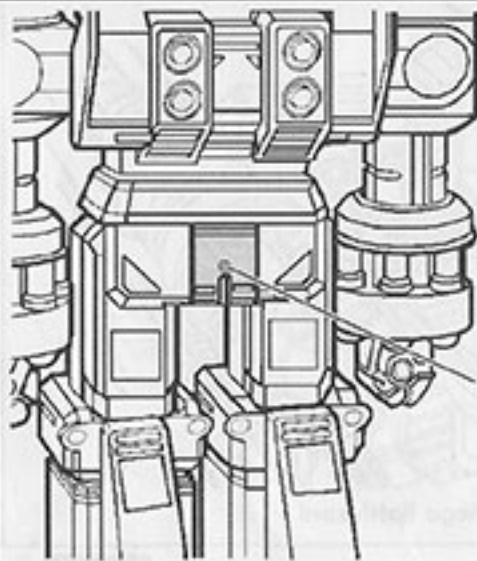
HOW TO PLAY WITH THE RED BATTLEZORD

Snap the tabs on the Helmet into the slots on the top of the shoulders of the Red Battlezord Body with the star facing forward, as shown below.



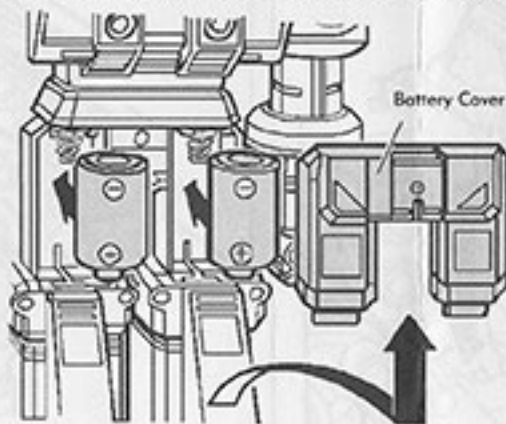
Rotate the Red Battlezord's arms up and over his head until they face the front.

HOW TO INSERT BATTERIES



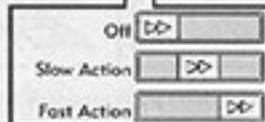
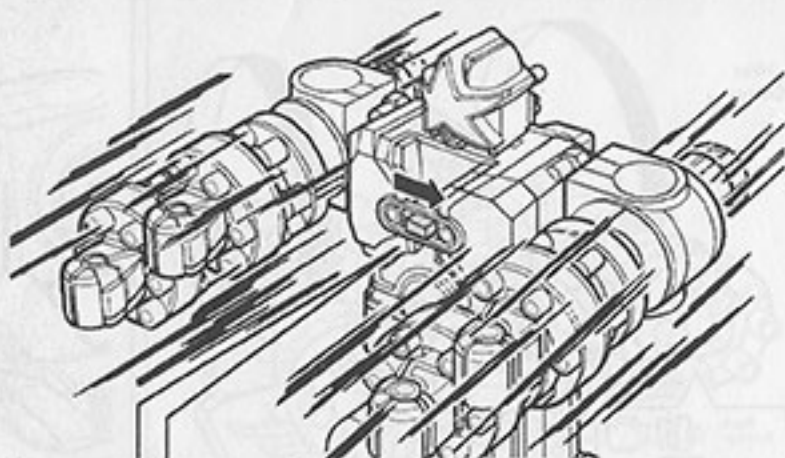
First, unscrew the screw from the back of the Red Battlezord.

Next, remove the battery cover and insert 2 C Batteries, as shown. Then, reattach the Battery Cover and screw it securely into place.



USE ONLY STANDARD OR ALKALINE BATTERIES. DO NOT MIX OLD AND NEW BATTERIES. DO NOT MIX ALKALINE, STANDARD OR RECHARGEABLE BATTERIES.

PUNCHING ACTION



Slide the button on the Red Battlezord's chest to activate his one-two punching action. Slide the button to the center position, for a slow punch. Slide the button all the way to the right for a fast punching action, as shown in the inset on the left. You can change the pattern of punching from a one-two punch to a two-listed power punch by rotating the Red Battlezord's arms into different positions.

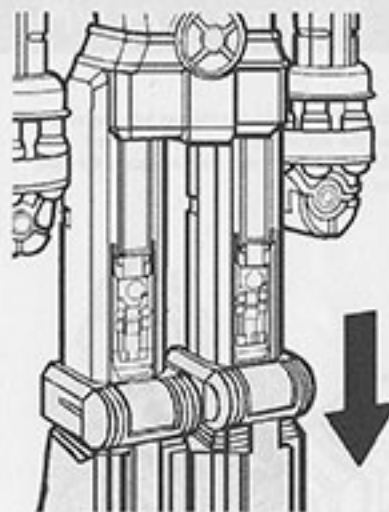
HOW TO MORPH THE DELUXE RED BATTLEZORD™ WITH THE DELUXE ZEO MEGAZORD™* TO FORM THE ULTIMATE FIGHTING MACHINE, THE ZEO MEGA BATTLEZORD

*The Deluxe Zeo Megazord is sold separately.

- 1** Remove the Helmets from the back of the Zeo Megazord and close the Zeo Zord V™ hatch. Rotate the Heel Stabilizers back into the bottom of the feet.

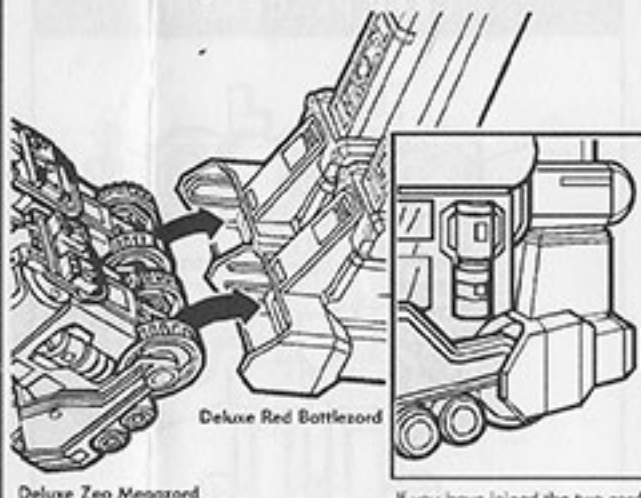


- 2** Pull the feet of the Deluxe Red Battlezord down to extend the legs.



Caution: Keep fingers away from all sliding parts.

- 3** Slide the wheels of the Deluxe Zeo Megazord firmly into the slots in the heels of the Deluxe Red Battlezord. It will be helpful to tilt the two zords and rotate them together, as shown below.

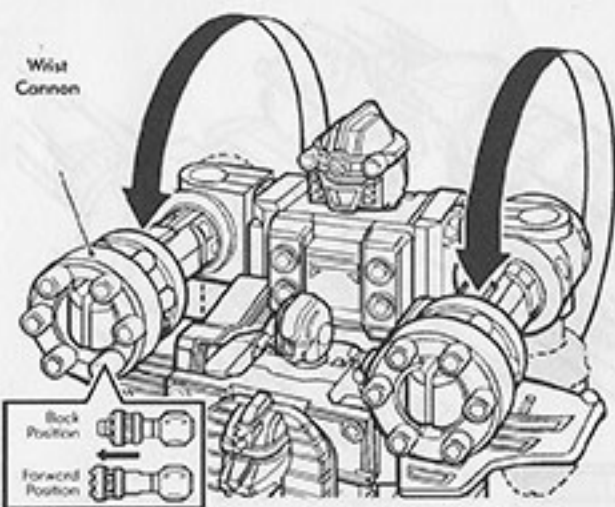


If you have joined the two zords correctly, they will fit together as shown in the inset above.

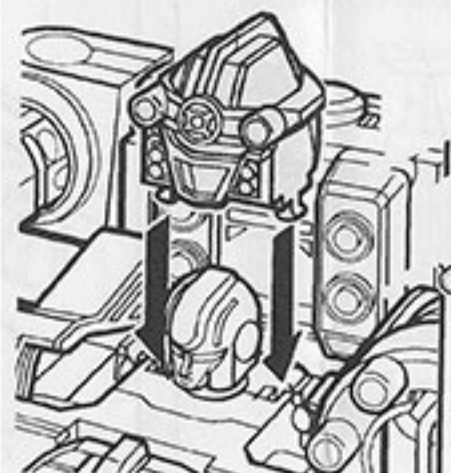
- 4** Rotate the Deluxe Red Battlezord's shoulder braces down until they latch securely onto the shoulders of the Deluxe Zeo Megazord.



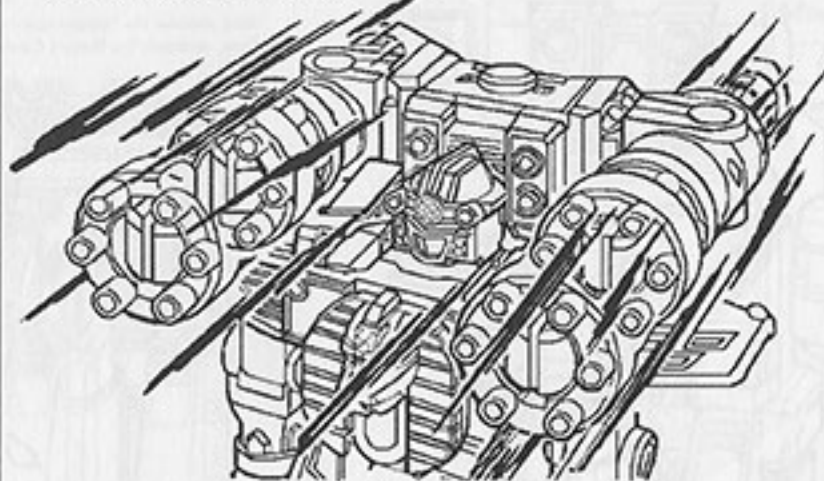
- 5** Rotate the arms of the Deluxe Red Battlezord around and over the shoulders of the Deluxe Zeo Megazord. Then, move the Red Battlezord's Wrist Cannons to the forward position, as shown in the inset below.



- 6** Remove the Deluxe Red Battlezord's Helmet and snap it into place on the head of the Deluxe Zeo Megazord.



- 6** Now you are ready to play with the Zeo Mega Battlezord. To activate the one-two punching action, press the button that is now on the back of the Deluxe Red Battlezord, as described on the other side of these instructions.



Deluxe Zeo Mega Battlezord