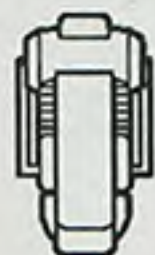


MAIN ELEMENTS



TURBO MORPHER

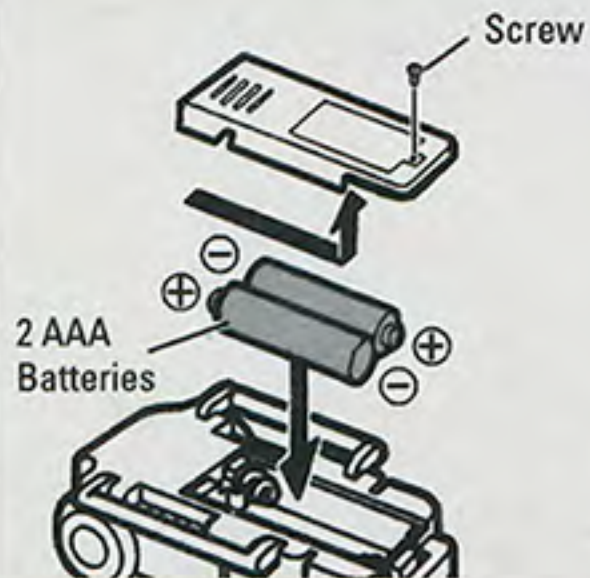


KEY



WRIST BAND

BATTERY INSTALLATION



Unscrew the Battery Cover and remove it from the TURBO MORPHER. Insert 2 AAA Batteries, as shown, and reattach the Battery Cover. Then, tighten the screw.

USE ONLY STANDARD OR ALKALINE BATTERIES. DO NOT MIX OLD AND NEW BATTERIES. DO NOT MIX ALKALINE, STANDARD OR RECHARGEABLE BATTERIES.

HOW TO USE THE KEY

1

To close the Key, rotate the Blade of the Key around and into the Handle until it locks in place, as shown by the arrows on the right.

Release Button



2

To open the Key, press the Release Button and the Blade will automatically spring out.

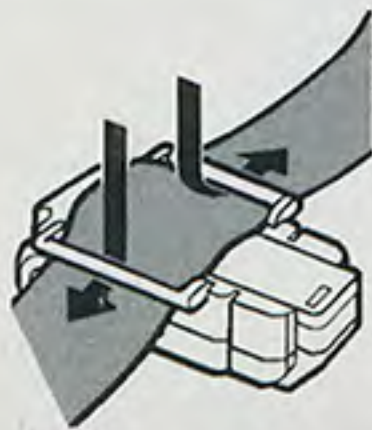
Blade

Release Button



HOW TO ATTACH THE WRIST BAND

Attach the Wrist Band to the TURBO MORPHER by threading it through the slots and around the back of the TURBO MORPHER, as shown by the arrows in the illustration on the right.



HOW TO PLAY WITH THE TURBO MORPHER

1

Insert the Key into the Keyhole, as shown in the illustration below.

Keyhole



2

Turn the Key Clockwise to activate the TURBO MORPHER's lights and sound effect.



Activation Button



You can also activate different lights and sound sequences by pressing the Activation Button.