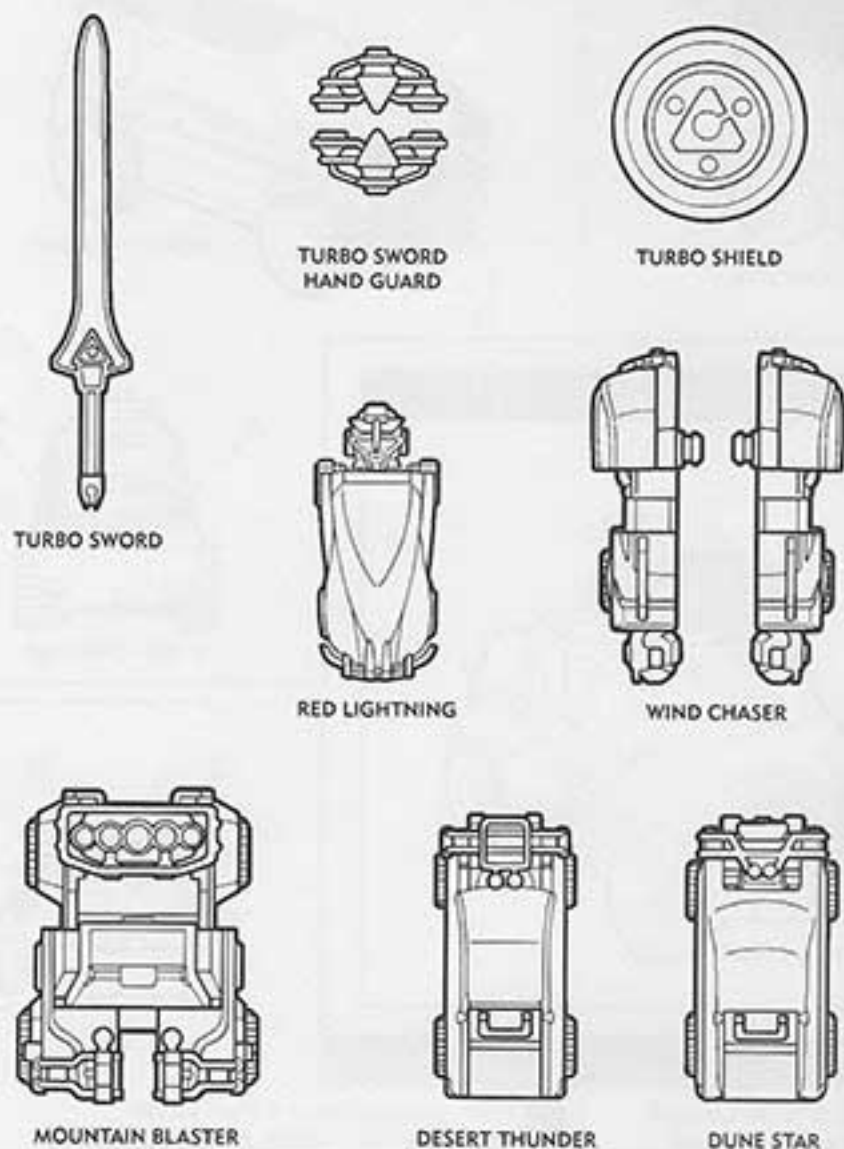


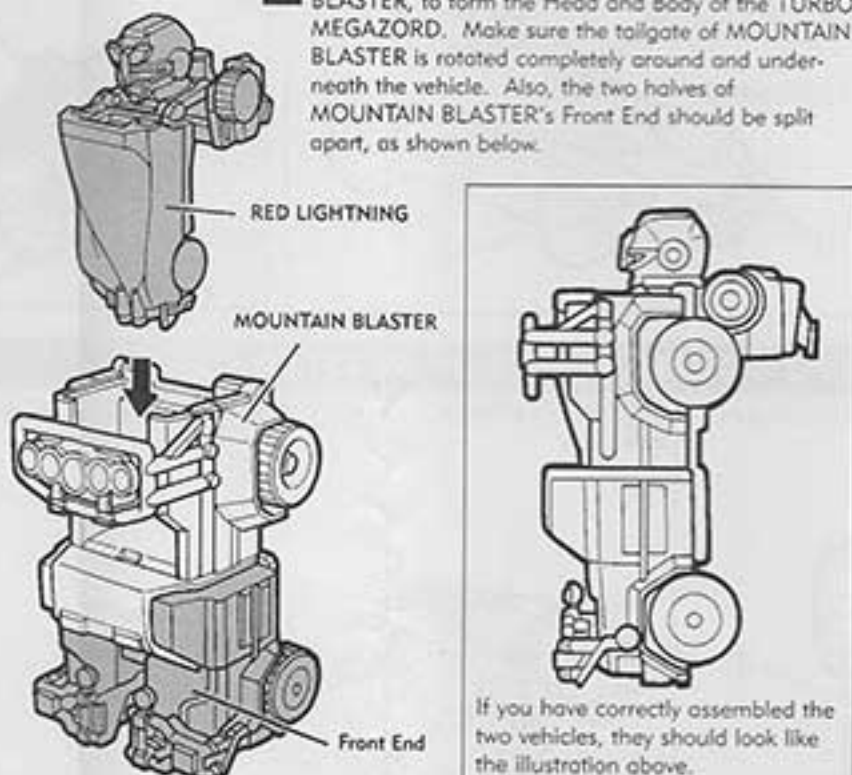
The numbers shown in the circles on these instructions are sticker numbers. Numbers in parentheses indicate the sticker goes on the other side. The numbers in the rectangles indicate the order of the instruction steps.

MAIN ELEMENTS

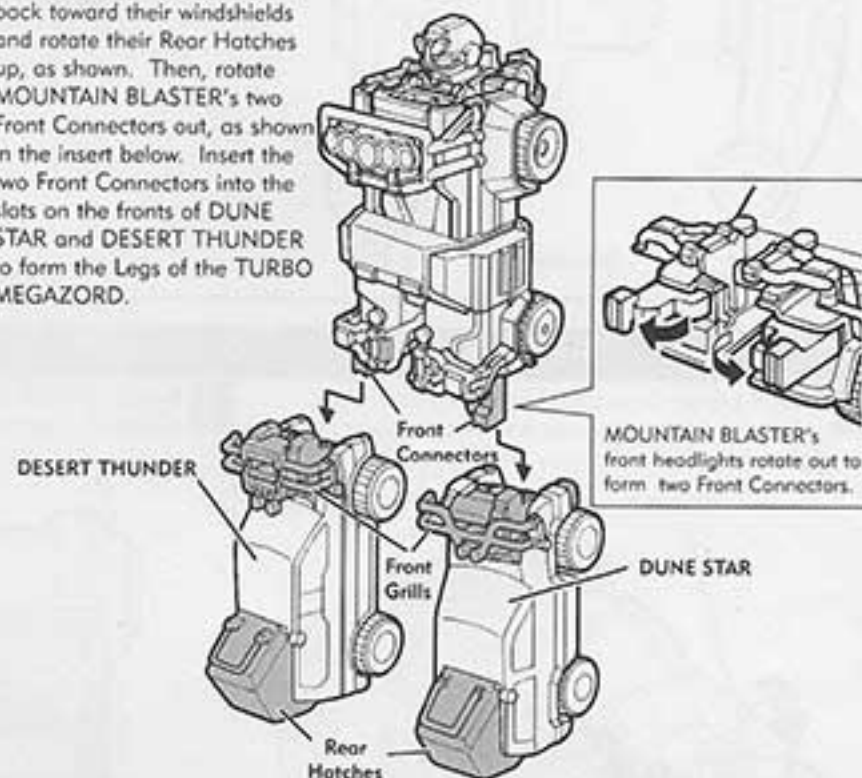


HOW TO ASSEMBLE THE DELUXE TURBO MEGAZORD

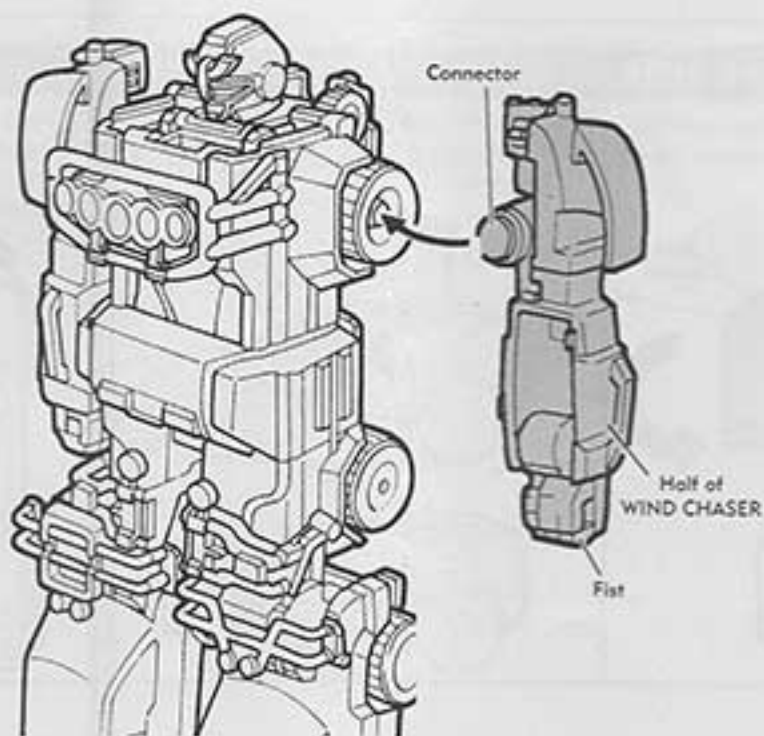
1 Insert RED LIGHTNING into the back of MOUNTAIN BLASTER, to form the Head and Body of the TURBO MEGAZORD. Make sure the tailgate of MOUNTAIN BLASTER is rotated completely around and underneath the vehicle. Also, the two halves of MOUNTAIN BLASTER's Front End should be split apart, as shown below.



2 Rotate DUNE STAR and DESERT THUNDER's Front Grills are back toward their windshields and rotate their Rear Hatches up, as shown. Then, rotate MOUNTAIN BLASTER's two Front Connectors out, as shown in the insert below. Insert the two Front Connectors into the slots on the fronts of DUNE STAR and DESERT THUNDER to form the Legs of the TURBO MEGAZORD.

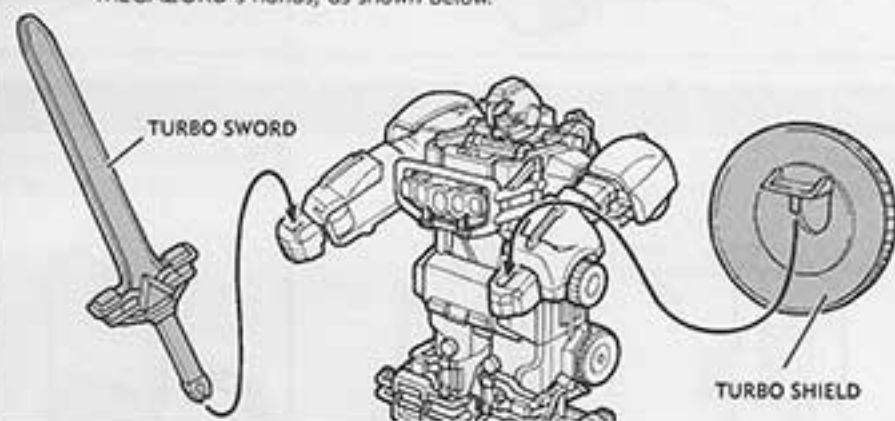


3 Fold out the Connectors and Fists on each half of WIND CHASER. Insert the connectors on both halves of WIND CHASER into MOUNTAIN BLASTER's rear wheels to form the arms of the TURBO MEGAZORD.

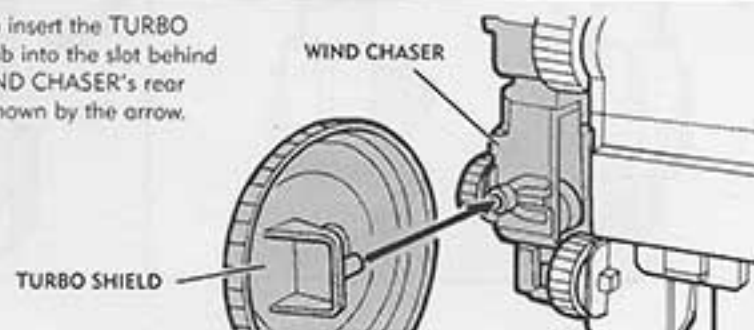


HOW TO USE THE TURBO WEAPONS

Place the TURBO SWORD and the TURBO SHIELD in the TURBO MEGAZORD's hands, as shown below.

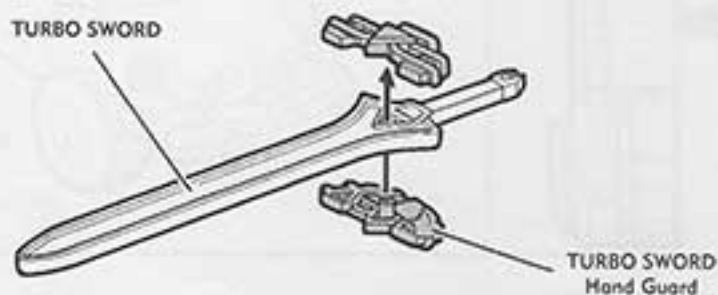


You can also insert the TURBO SHIELD's tab into the slot behind either of WIND CHASER's rear wheels, as shown by the arrow.



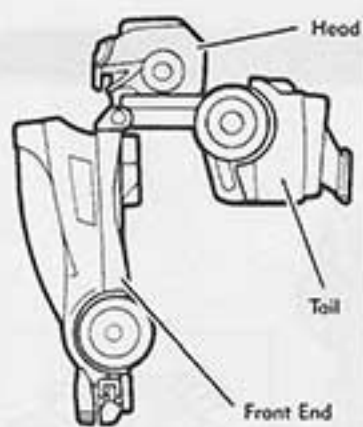
HOW TO ASSEMBLE THE TURBO SWORD

Place the two halves of the TURBO SWORD Hand Guard on either side of the TURBO SWORD, as shown below. Snap them together so the tab on one side of the Hand Guard goes through the hole in the middle of the TURBO SWORD.

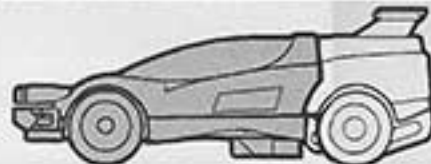
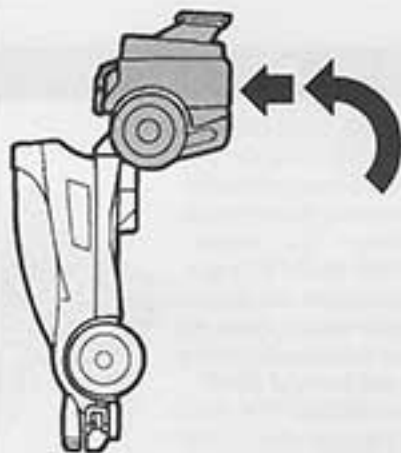


HOW TO MORPH RED LIGHTNING

MAIN PARTS OF RED LIGHTNING

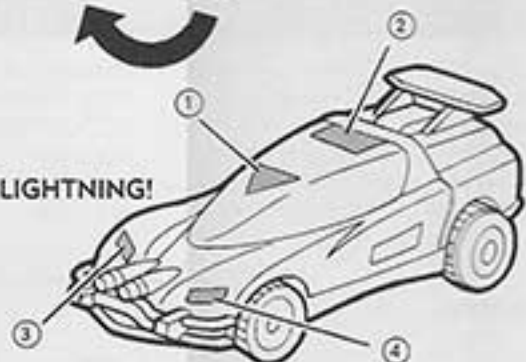


1 Rotate the Tail up and in until it covers the Head, as shown below.



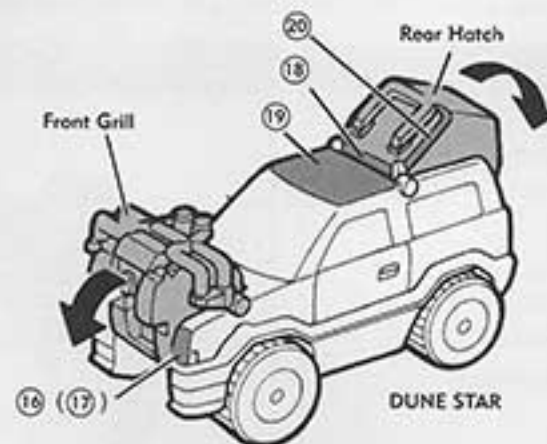
2 Rotate the Front End up until it snaps together with the Tail.

RED LIGHTNING!

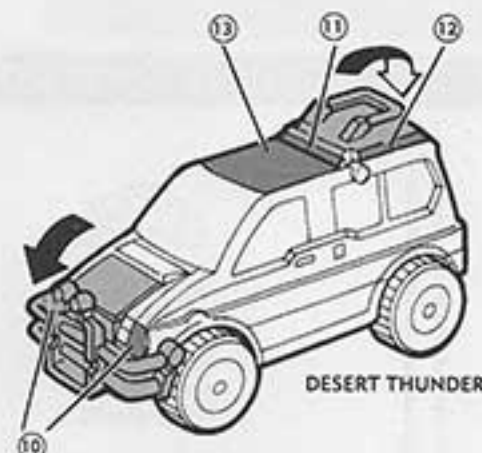


HOW TO MORPH DUNE STAR AND DESERT THUNDER

Rotate DUNE STAR's Front Grill and Rear Hatch down, as shown by the arrows below.

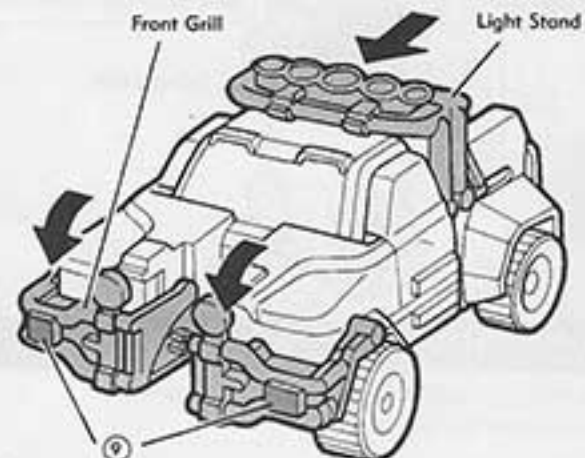


Rotate DESERT THUNDER's Front Grill and Rear Hatch down, as shown by the arrows below.

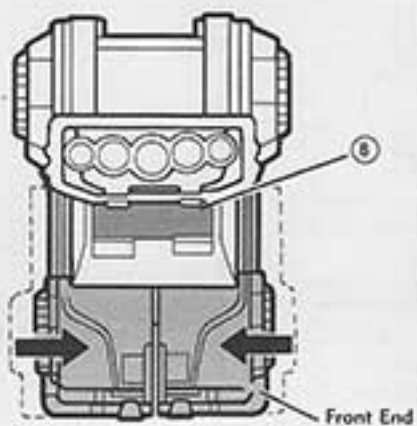


HOW TO MORPH MOUNTAIN BLASTER

1 Push the Front Connectors back into place. Then, rotate the Front Grills down and slide the Light Stand forward, as shown by the arrows below.



2 Press both sides of the Front End in until they snap together.



3 Rotate the Tailgate around and snap it shut.



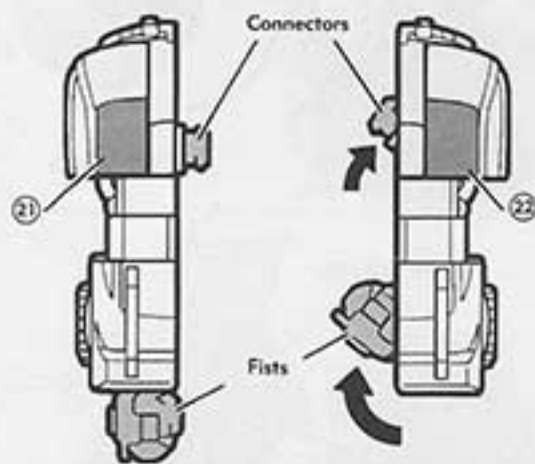
4 Rotate the Lights up, as shown by the arrow.



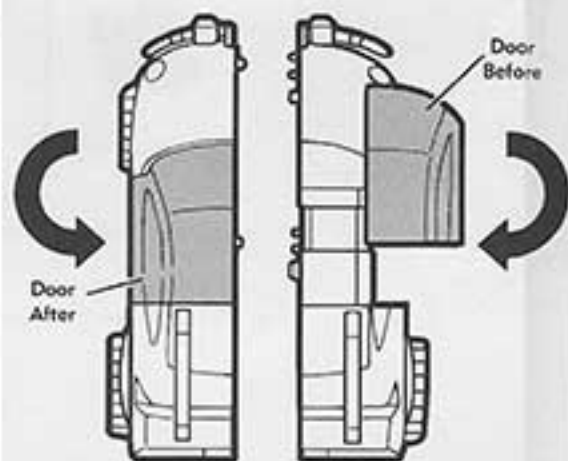
DESERT THUNDER

HOW TO MORPH WIND CHASER

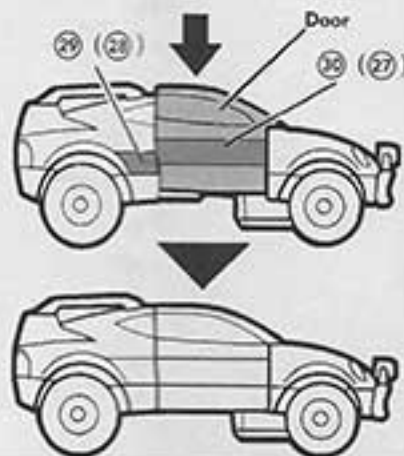
1 Rotate the Connectors and the Fists inside the two halves of WIND CHASER.



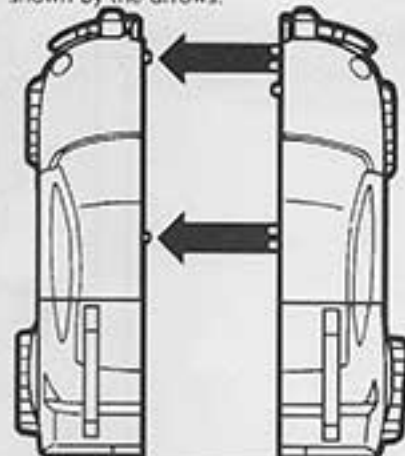
2 Rotate the Doors around on both halves of WIND CHASER so they look like the illustration on the left.



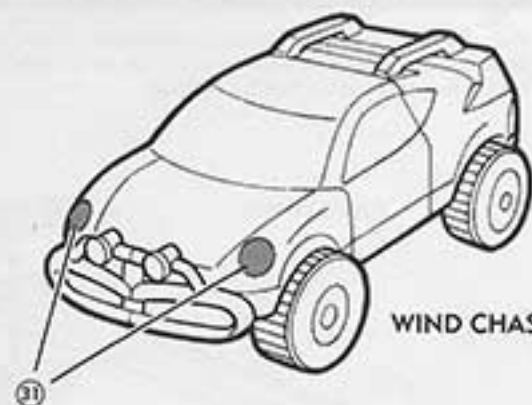
3 Close the Doors on both halves of WIND CHASER by pressing down on them until they snap shut.



4 Press the two halves of WIND CHASER together so the tabs on the right half snap into the slots on the left half, as shown by the arrows.



5 When you have joined the two halves together, WIND CHASER should look like the illustration below.



WIND CHASER