

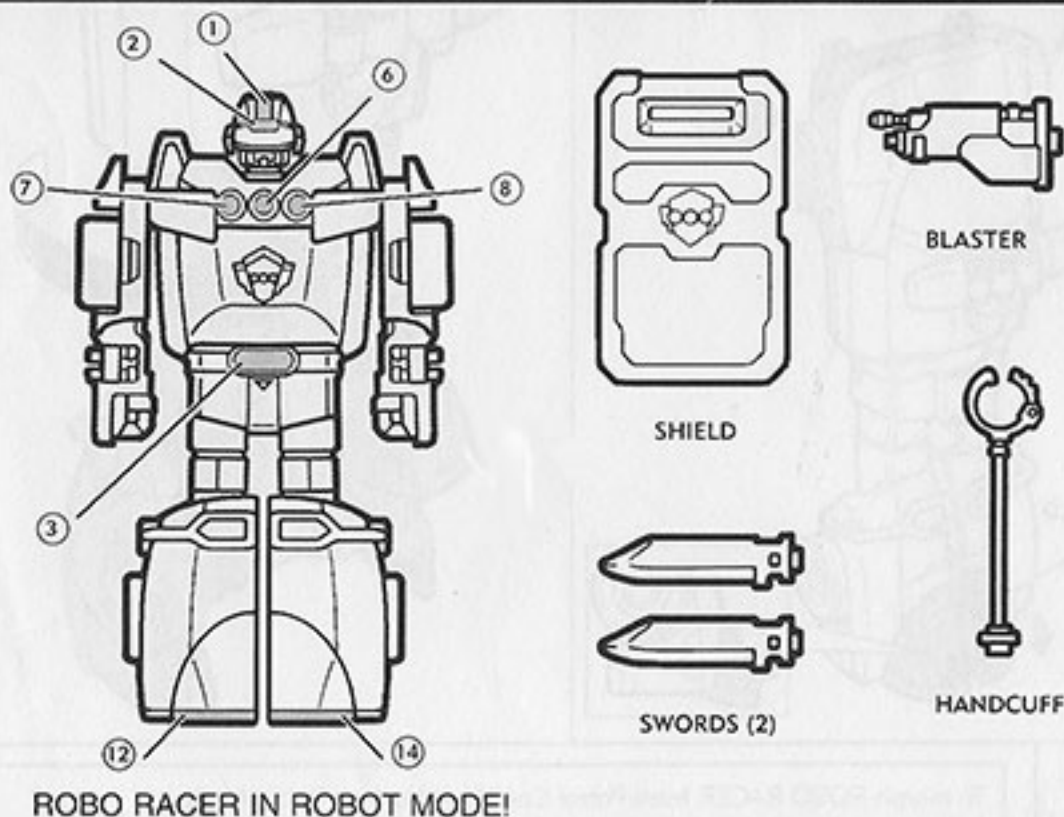
POWER RANGERS TURBO™

DELUXE ROBO RACER INSTRUCTIONS

The numbers shown in the circles on these instructions are sticker numbers. Numbers in parentheses indicate the sticker goes on the other side. The numbers in the rectangles indicate the order of the instruction steps.

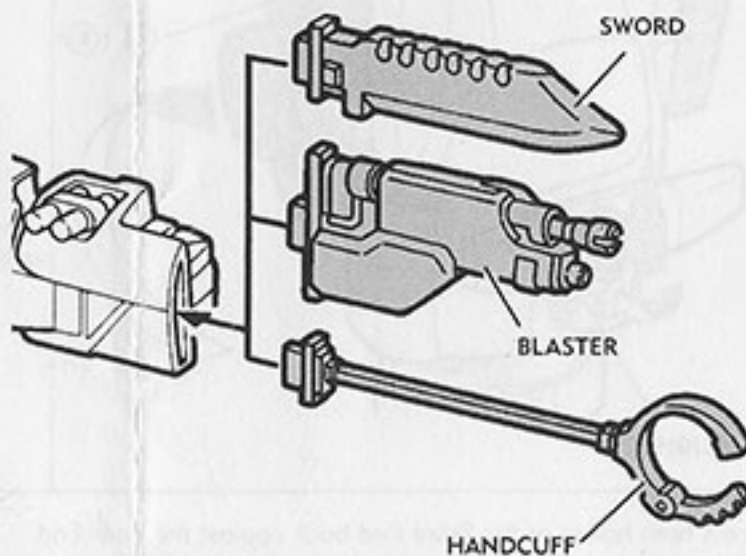
WARNING:
CHOKING HAZARD - Small parts.
Not for children under 3 years.

MAIN ELEMENTS AND STICKER PLACEMENTS

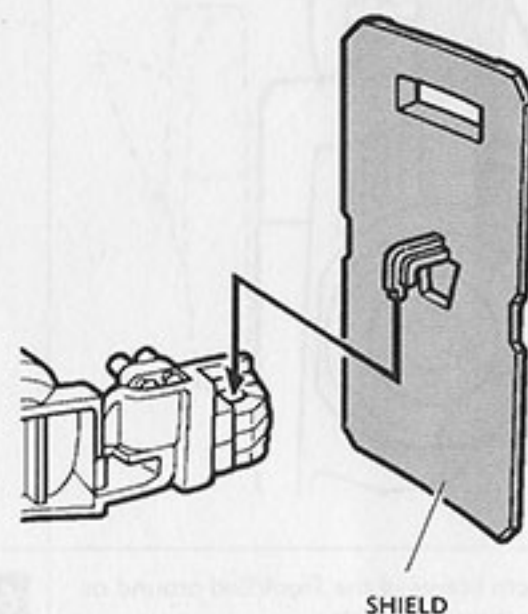


HOW TO USE THE WEAPONS

You can attach any of the weapons to either of ROBO RACER's hands by sliding the tab on the end of the weapon into the slot on the front of his hands, as shown by the arrow below.

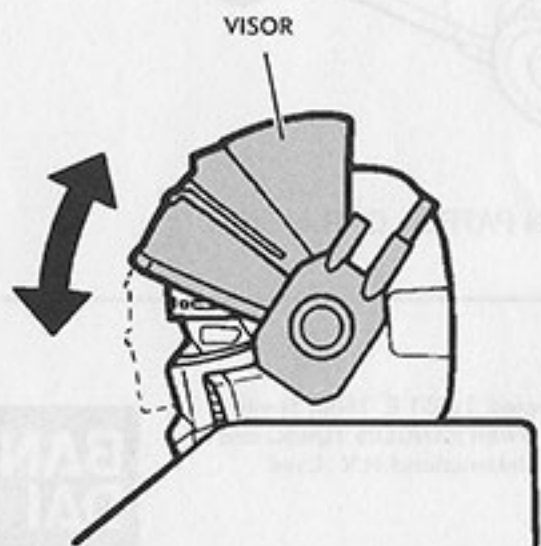


You can attach the Shield to either of ROBO RACER's hands by sliding the tab on the inside of the Shield into the hole in his hands, as shown by the arrow below.



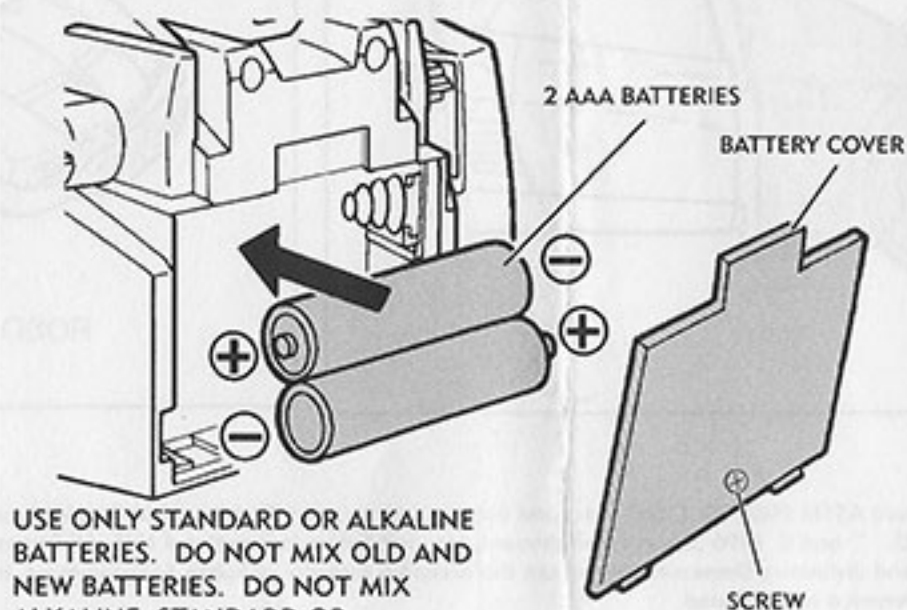
ROBO RACER'S VISOR

You can swivel ROBO RACER's Helmet Visor up and down, as shown by the arrow.



BATTERY INSTALLATION

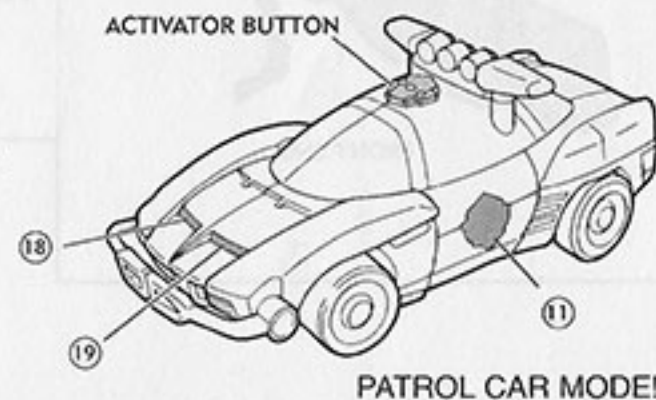
Unscrew and remove the Battery Cover. Insert 2 AAA batteries, then reattach the Battery Cover and tighten the screw.



USE ONLY STANDARD OR ALKALINE BATTERIES. DO NOT MIX OLD AND NEW BATTERIES. DO NOT MIX ALKALINE, STANDARD OR RECHARGEABLE BATTERIES.

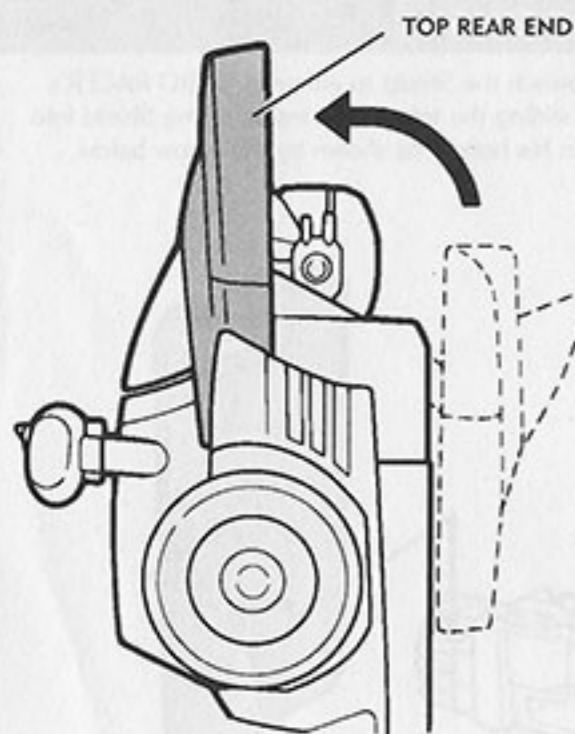
ACTIVATING THE LIGHTS AND SOUNDS

Press the Activator Button located on ROBO RACER's chest in Robot Mode or on the roof of the car in Patrol Car Mode to activate the lights and sound effects. See the instructions on the other side of this page to learn how to morph ROBO RACER from Robot Mode to Patrol Car Mode.

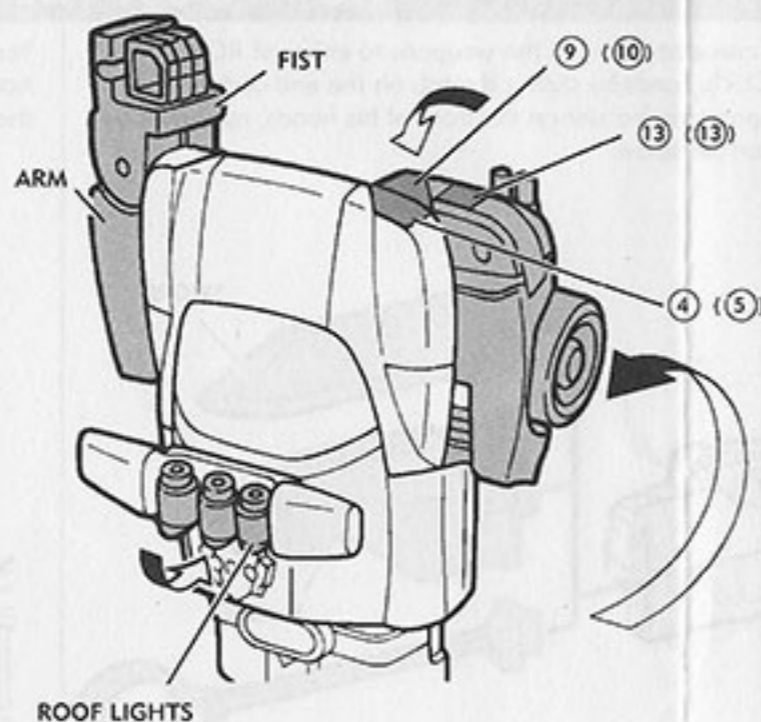


HOW TO MORPH ROBO RACER FROM ROBOT MODE TO PATROL CAR MODE

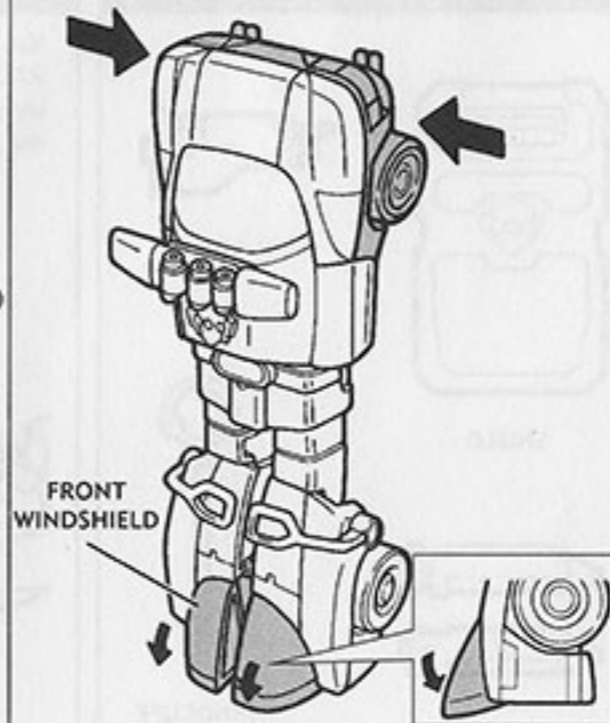
- 1** Rotate the Top Rear End of the vehicle around and over ROBO RACER's head, as shown by the arrow below.



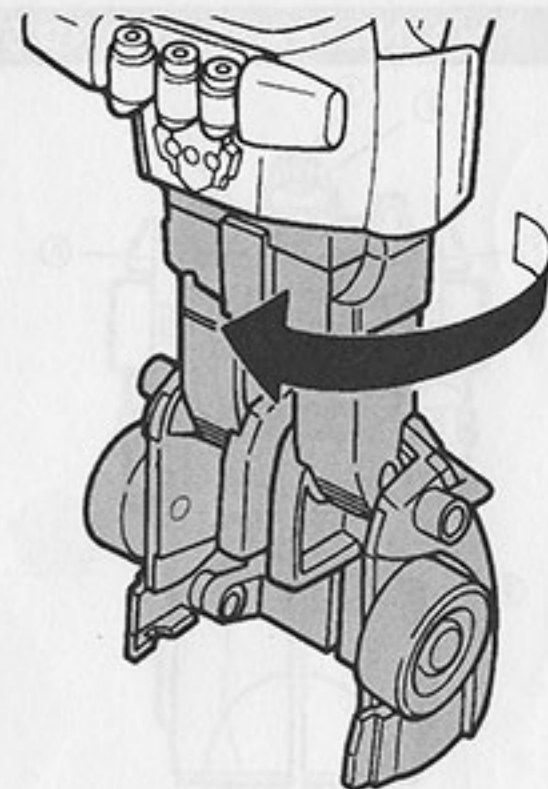
- 2** Rotate ROBO RACER's Arms around until they are in the position shown on the left side of the illustration below. Then, rotate the Fists around and into the position shown on the right side of the illustration. Rotate the Roof Lights so they face the front end of the vehicle.



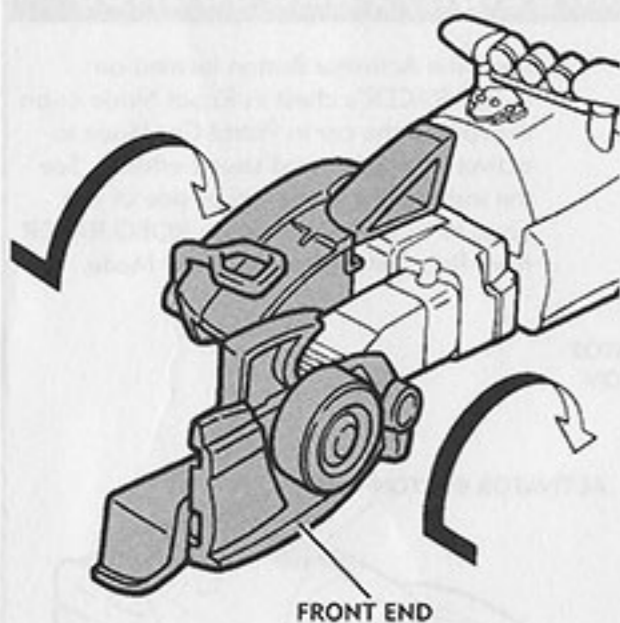
- 3** Push the two arms in to the sides of the vehicle, as shown by the arrows at the top of the illustration below. Rotate the two halves of the Front Windshield down, as shown by the arrows at the bottom of the main illustration and in the inset.



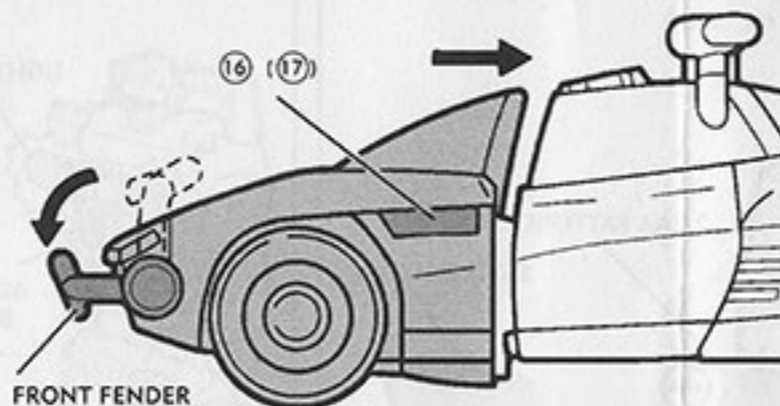
- 4** Rotate the lower half of the vehicle around in the direction of the arrow so the Front Windshield faces toward the back.



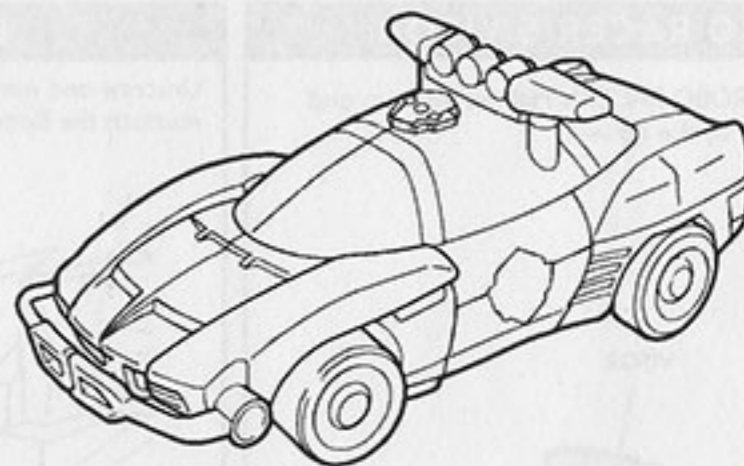
- 5** Rotate both halves of the Front End around as shown by the arrows below.



- 6** Press both halves of the Front End back against the Rear End of the vehicle until they snap into place. Rotate both halves of the Front Fender down around the front of the vehicle.



To morph ROBO RACER from Patrol Car Mode back to Robot Mode, follow steps 1-6 on this page in reverse order.



ROBO RACER IN PATROL CAR MODE!

Conforms to safety standard ASTM F963-95. Color, style, and decoration may vary. Distributed by Bandai America Incorporated, 12851 E. 166th Street, Cerritos, California, 90703. ™ and © 1996 Saban Entertainment, Inc. and Saban International N.V. All Rights Reserved. POWER RANGERS TURBO and all related logos, names and distinctive likenesses thereof are the exclusive property of Saban Entertainment, Inc. and Saban International N.V. Used under license by Bandai America Incorporated.

