

**BAN
DAI**

POWER RANGERS IN SPACE

Deluxe Delta Megazord™

Caution: Please read before playing with toy

- Do not: 1) aim toy at people 2) hit anyone with toy 3) poke anyone with toy 4) swing toy at anyone.
- Be careful not to pinch fingers with hinged parts of toy.

Conforms to safety standard ASTM F963-96a. Color, style, and decoration may vary. Distributed by Bandai America Incorporated, 5551 Katella Avenue, Cypress, California, 90630. TM and © 1997 Saban. All Rights Reserved. POWER RANGERS IN SPACE and all related logos, names and distinctive likenesses thereof are the exclusive property of Saban Entertainment, Inc. and Saban International N.V. Used under license by Bandai America Incorporated. Package © 1997 Bandai America Incorporated.

WARNING:
CHOKING HAZARD - Small parts.
Not for Children under 3 years.

CONTENTS

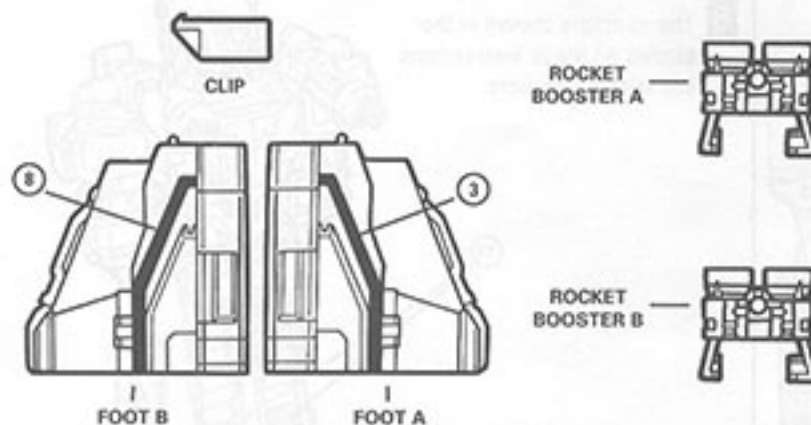
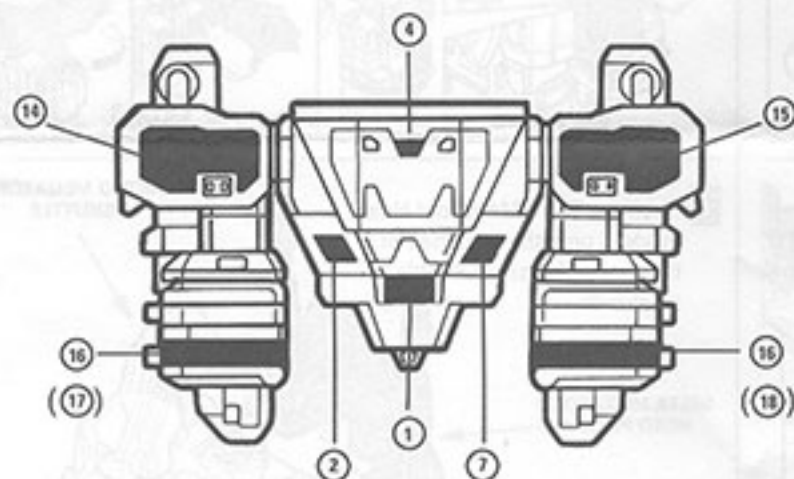
The numbers shown in the circles on these instructions are sticker numbers.



HEAD PIECE A



HEAD PIECE B



FOOT B FOOT A

The Delta Lasers are designed to detach if pulled hard.

HOW TO MORPH TO ZORD MODE

1

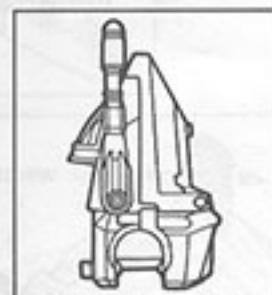
Snap head piece A onto head piece B, make sure to pull apart the bottom pieces of head B.



HEAD PIECE A



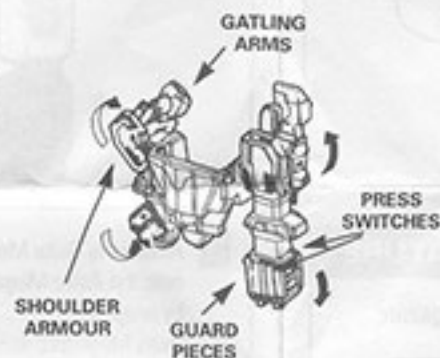
HEAD PIECE B



ASSEMBLED HEAD PIECE

2

Rotate the shoulder armour up as shown. Transform the guard pieces by pushing the switch on the front and back sides. If you push the switch too hard, the guard pieces won't transform properly. Rotate the gatling arms up as shown.



SHOULDER ARMOUR

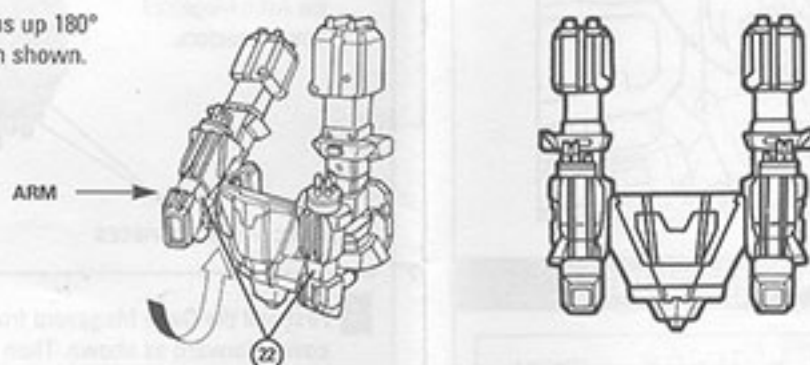
GUARD PIECES

PRESS SWITCHES

LEG CONNECTORS

3

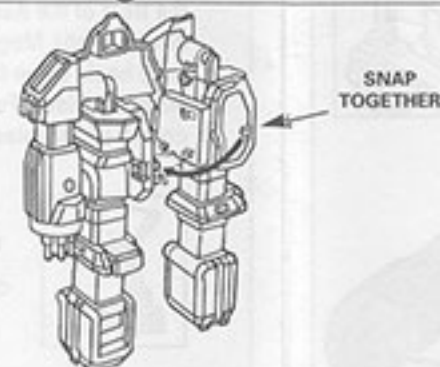
Rotate the arms up 180° in the direction shown.



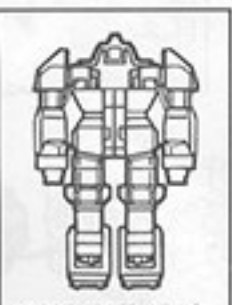
ARM

4

Turn toy upside-down and turn around so back is facing you. Rotate the arms behind, snapping the arms together as shown.



SNAP TOGETHER



ASSEMBLED ARMS

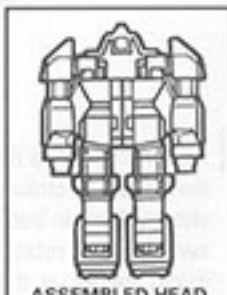
5

Attach combined head pieces to torso as shown.



HEAD

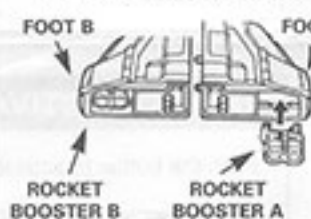
TORSO



ASSEMBLED HEAD AND TORSO

6

Attach the rocket booster pieces at the bottom of the feet as shown. Be sure to place booster A in foot A, and booster B in foot B.



FOOT B

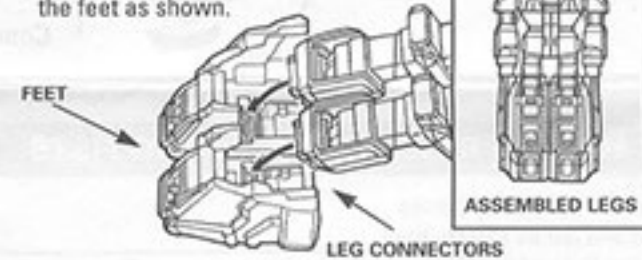
FOOT A

ROCKET BOOSTER B

ROCKET BOOSTER A

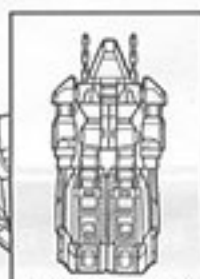
7

Place the feet on a flat surface, then place the leg connector pieces into the feet as shown.



FEET

LEG CONNECTORS



ASSEMBLED LEGS

8

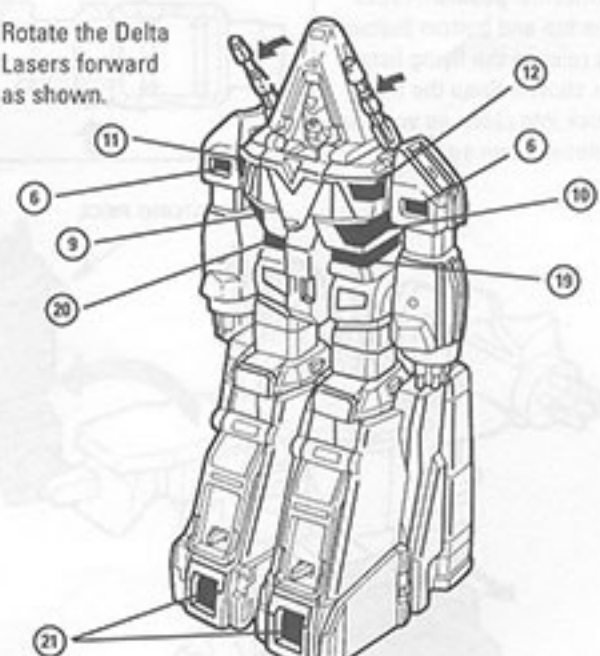
Pull open the cover as shown, to reveal the face of the Delta Megazord.



COVER

9

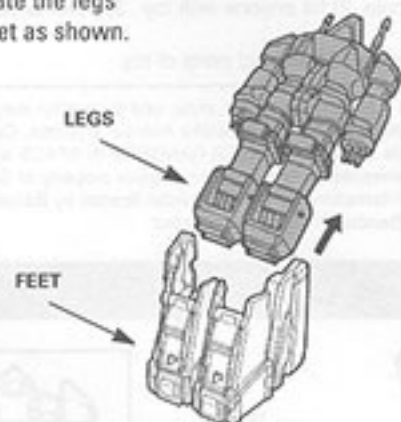
Rotate the Delta Lasers forward as shown.



The completed Deluxe Delta Megazord!

HOW TO TRANSFORM TO SHUTTLE MODE

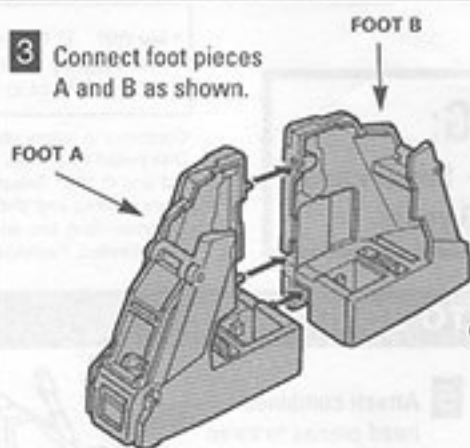
- 1 Separate the legs and feet as shown.



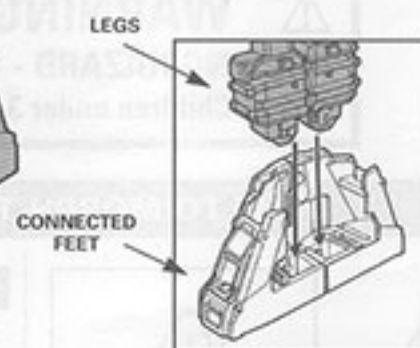
- 2 Fold the cover up on the head and close as shown. Push in both switches and rotate the guard pieces up, then around as shown.



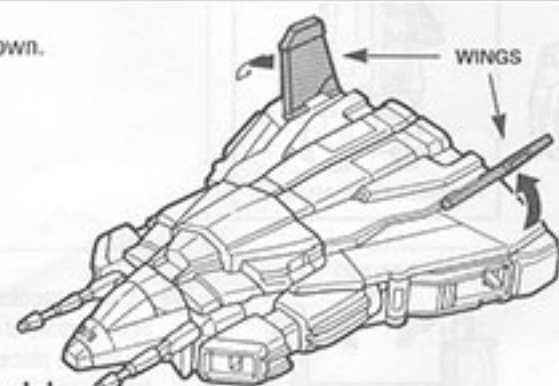
- 3 Connect foot pieces A and B as shown.



- 4 Insert the legs into the feet as shown.



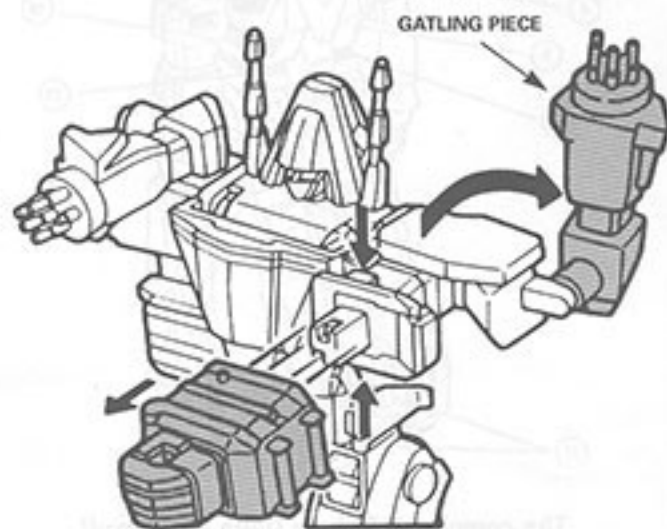
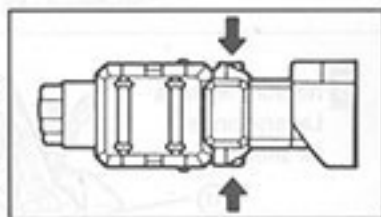
- 5 Fold up wings as shown.



Completed shuttle mode!

HOW TO RELEASE THE FLYING FISTS

Rotate the gatling pieces up and out as shown, then bring the arms up to a horizontal position. Press the top and bottom buttons to release the flying fists, as shown. Snap the fists back into place so you can release them again.



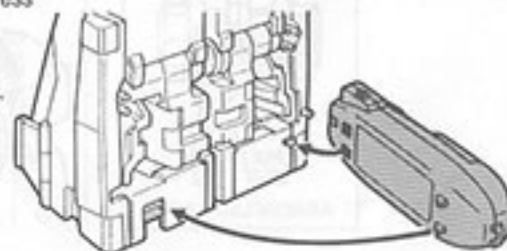
HOW TO ACTIVATE THE SOUND FEATURE

Push the button to activate sound on the Astro Delta Megazord.



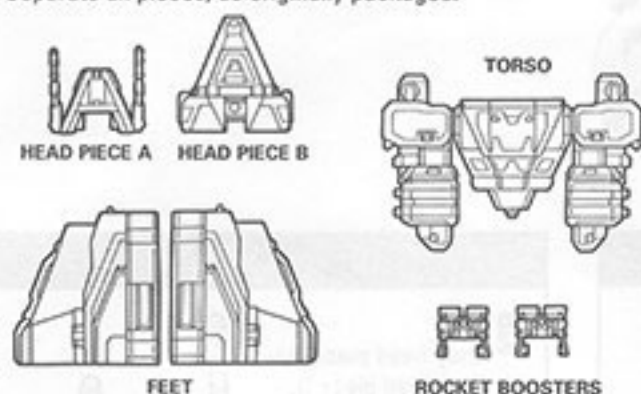
SPECIAL BONUS FEATURE

As a special bonus feature, the Battizer (sold separately) can be attached to the Astro Delta Megazord's feet as shown. Slide open the cover of Battizer, press a button and hear a different version of the Battizer sounds.

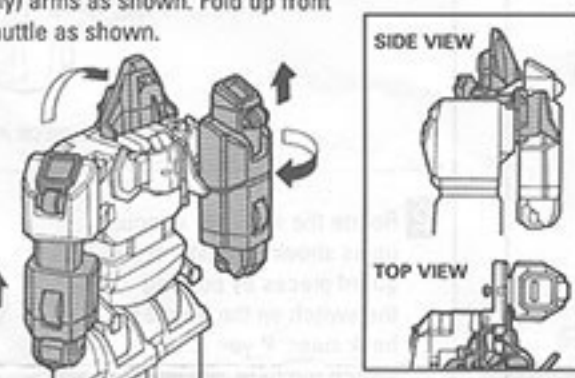


HOW TO MORPH THE DELUXE DELTA MEGAZORD WITH THE DELUXE ASTRO MEGAZORD (SOLD SEPARATELY)

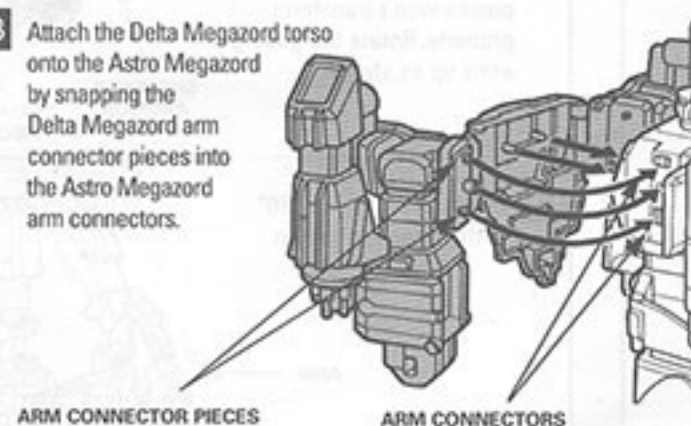
- 1 Separate all pieces, as originally packaged.



- 2 Fold back the Astro Megazord (sold separately) arms as shown. Fold up front half of shuttle as shown.



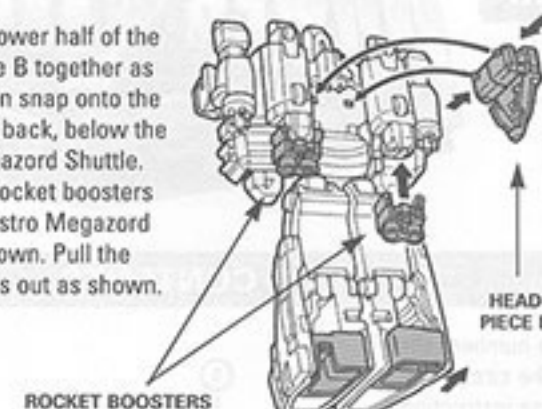
- 3 Attach the Delta Megazord torso onto the Astro Megazord by snapping the Delta Megazord arm connector pieces into the Astro Megazord arm connectors.



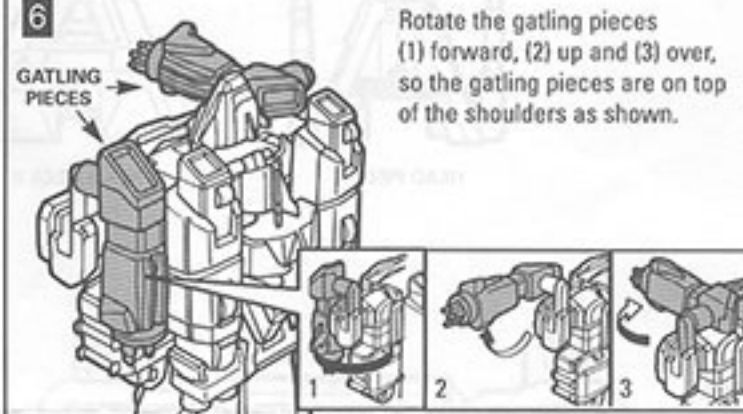
- 4 First pull the Delta Megazord front leg covers forward as shown. Then place the front of the Astro Megazord's feet into the Delta Megazord's feet, then snap heels down firmly until they snap into place. Fold the front leg covers up into place as shown.



- 5 Snap the lower half of the head piece B together as shown then snap onto the Megazord back, below the Astro Megazord Shuttle. Snap the rocket boosters onto the Astro Megazord fists as shown. Pull the heel pieces out as shown.



- 6 Rotate the gatling pieces (1) forward, (2) up and (3) over, so the gatling pieces are on top of the shoulders as shown.



- 7 Snap the Delta Megazord Head Piece A onto the front half of the Astro Megazord Shuttle as shown.



- 8 The numbers shown in the circles on these instructions are sticker numbers.

