

**BAN
DAI**

Item #3186

SABAN'S POWER RANGERS IN SPACE

DELUXE MEGA VOYAGER

CAUTION: Please read before playing with toy

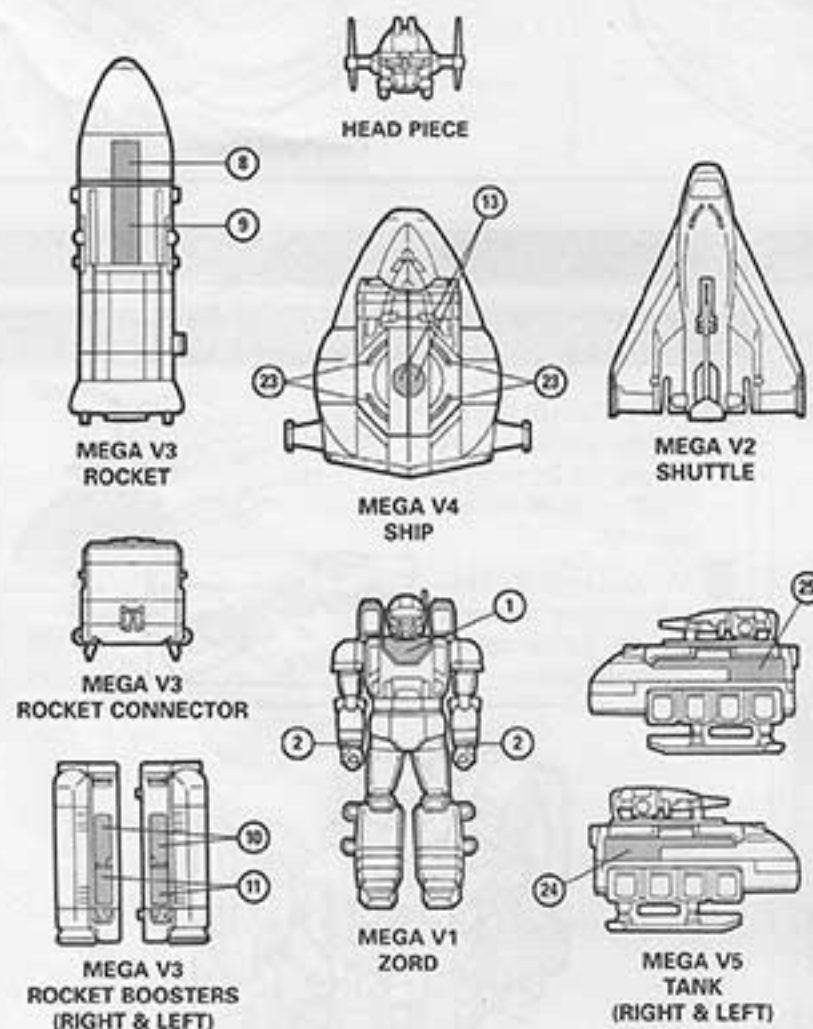
- Do not: 1) hit anyone with toy 2) poke anyone with toy 3) swing toy at anyone.
- Be careful not to pinch fingers with hinged parts of toy.

Conforms to safety standard ASTM F963-96a. Color, style, and decoration may vary. Distributed by Bandai America Incorporated, 5551 Katella Avenue, Cypress, California, 90630. TM and © 1997 Saban Entertainment, Inc. and Saban International N.V. All Rights Reserved. SABAN'S POWER RANGERS IN SPACE and all related logos, names and distinctive likenesses thereof are the exclusive property of Saban Entertainment, Inc. and Saban International N.V. Used under license by Bandai America Incorporated.

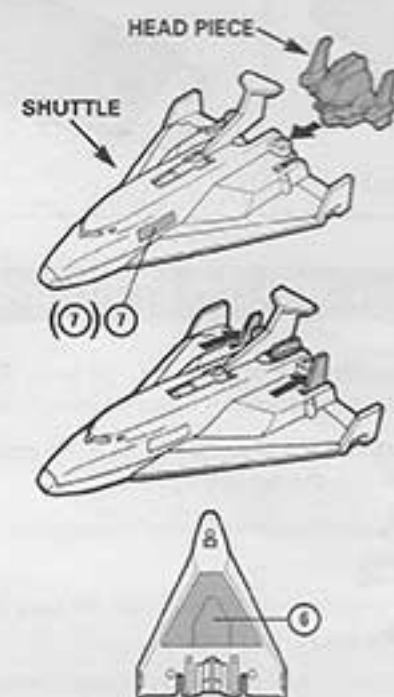
WARNING:
CHOKING HAZARD - Small parts.
Not for Children under 3 years.

CONTENTS

The numbers shown in the circles on these instructions are sticker numbers.



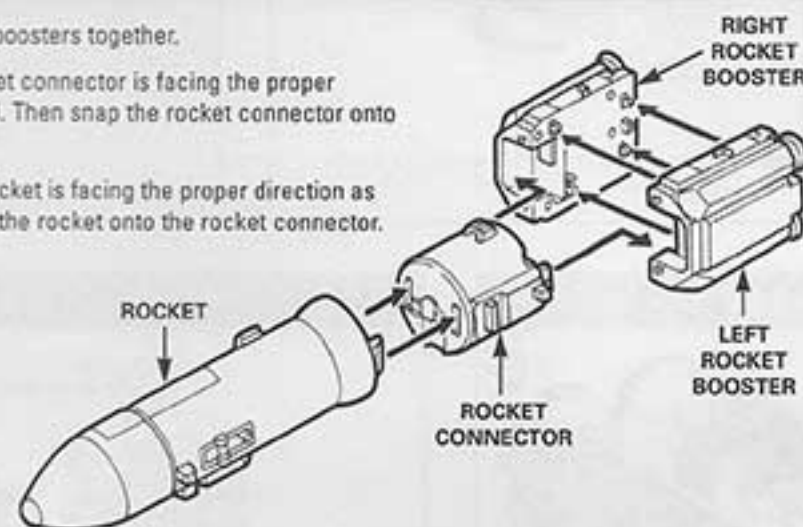
HOW TO MORPH MEGA V2



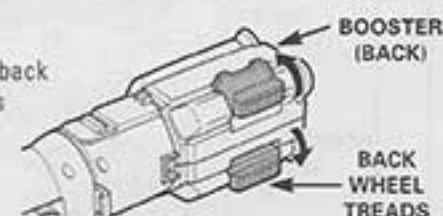
- 1 Place the head piece in the back of Mega V2.

HOW TO MORPH MEGA V3

- 1 Snap the two rocket boosters together.
- 2 Be sure that the rocket connector is facing the proper direction as indicated. Then snap the rocket connector onto the rocket boosters.
- 3 Make sure that the rocket is facing the proper direction as indicated. Then snap the rocket onto the rocket connector.

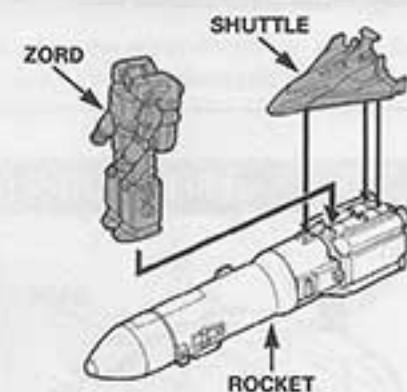


- 4 Pull open the flaps on the back side of the rocket boosters and snap back for the back wheels.



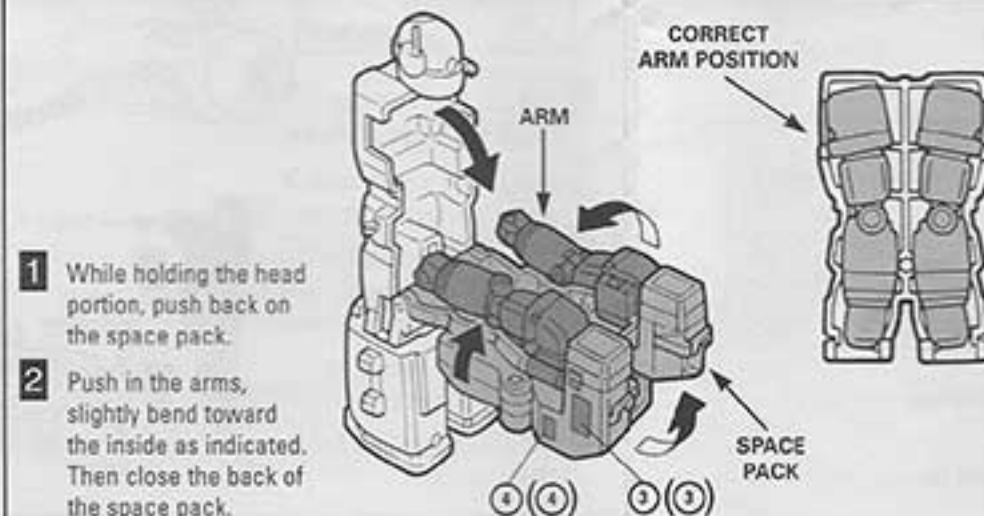
- 5 Locate the flap on the back side of the rocket toward the bottom. Push down on the back end and flip over to reveal the front wheel treads.

HOW TO ATTACH ZORD AND SHUTTLE TO ROCKET



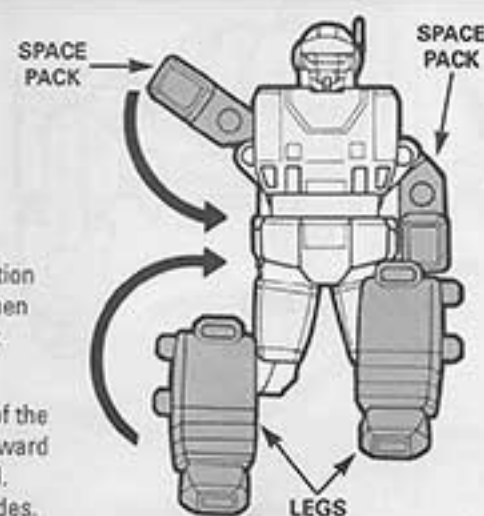
HOW TO MORPH TO DELUXE MEGA VOYAGER

PREPARATION FOR MEGA V1

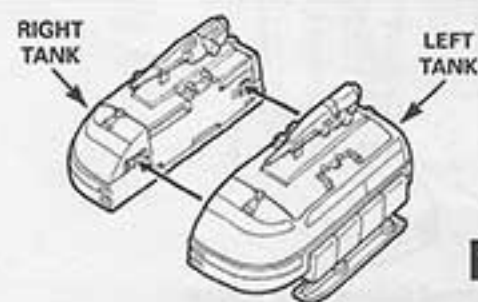


- 1 While holding the head portion, push back on the space pack.
- 2 Push in the arms, slightly bend toward the inside as indicated. Then close the back of the space pack.

- 3 Push the bottom portion of the leg outward then bring upward, until it clicks in position.
- 4 Pull the top portion of the space pack down toward the legs as indicated. Complete for both sides.



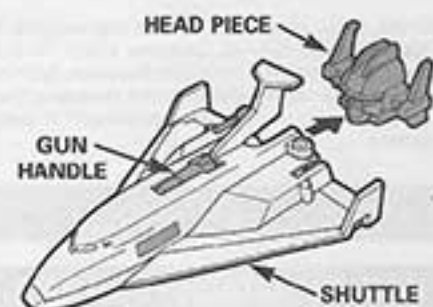
HOW TO MORPH MEGA V5



- 1 Snap the two sides of the Mega V5 together.

HOW TO MORPH TO DELUXE MEGA VOYAGER

PREPARATION FOR MEGA V2



- 1 Remove head piece from the back.
- 2 Pull out the gun handle in the top center of the shuttle for placement in Zord's hand.

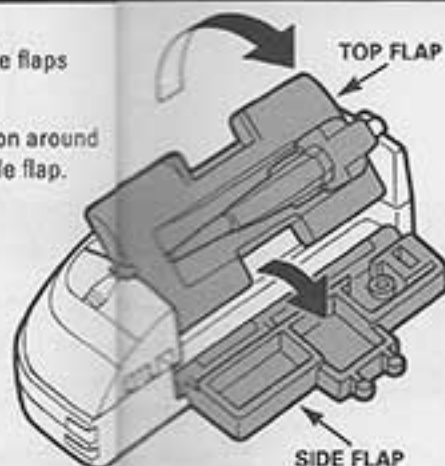
PREPARATION FOR MEGA V3



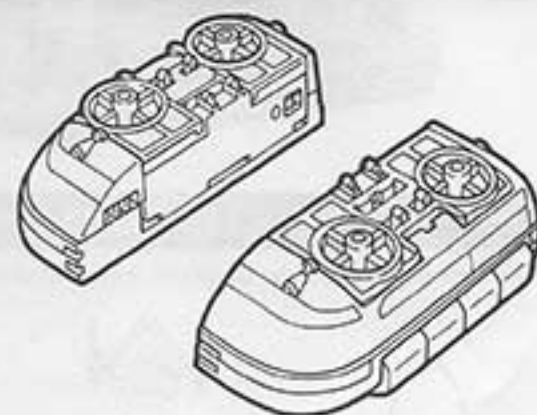
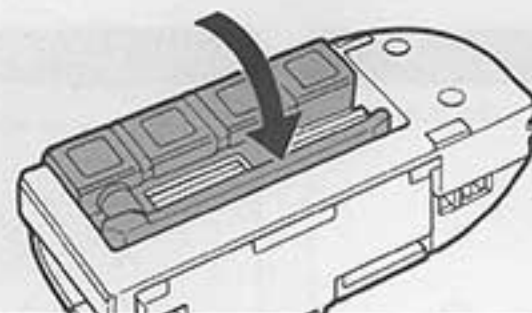
- 1 Push the wheel treads forward until the flap is closed.

PREPARATION FOR MEGA V5

- 1 Pull open the side flaps as indicated.
- 2 Flip the top portion around and close the side flap.

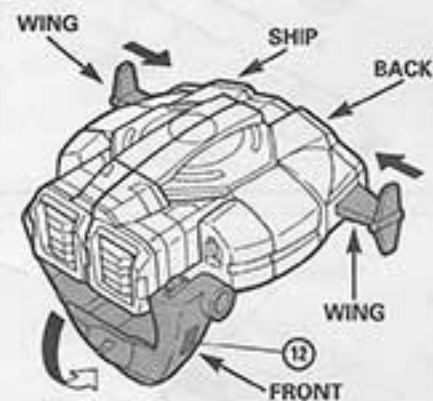


- 3 Push the landing gear into the bottom as shown.

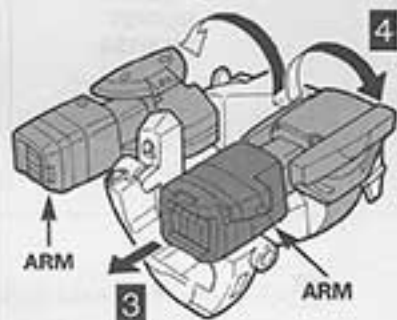


Completed Morph.

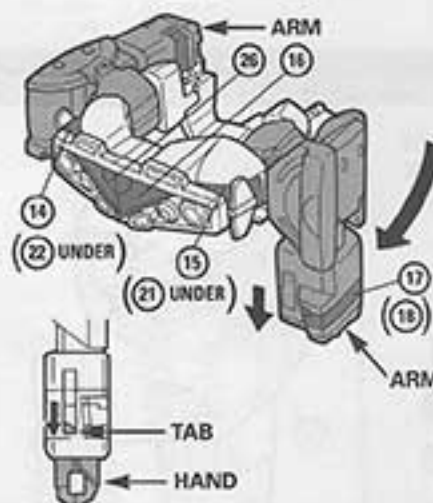
PREPARATION FOR MEGA V4



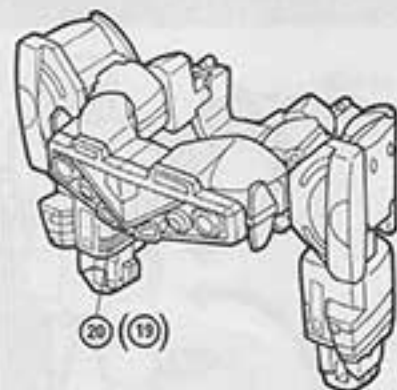
- 1 Push in the wings at the back.
- 2 Push down front of the ship.



- 3 Extend the front of both arms out as indicated.
- 4 Push the arms up from the bottom as shown.

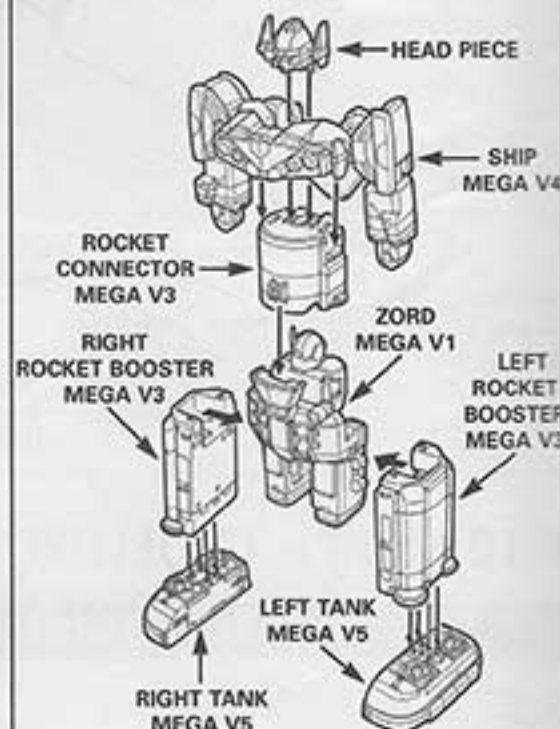


- 5 Rotate the arms downward as indicated.
- 6 Push the tabs in the front of the arm down to expose the hands.

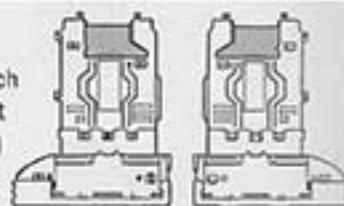


Completed Morph.

HOW TO CREATE DELUXE MEGA VOYAGER



PLEASE NOTE:
Be sure to attach right leg to right foot and left leg to the left foot.



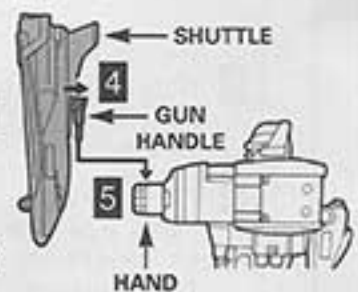
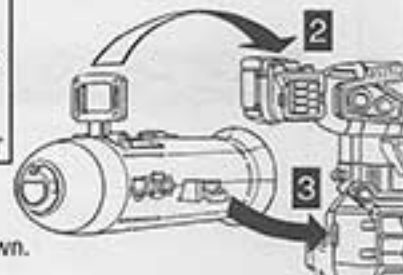
- 1 Snap the left rocket booster onto the left tank of Mega V5.
- 2 Snap the right rocket booster onto the right tank of Mega V5.

- 3 With the front portion of Mega V1 facing the back, slide the rocket boosters onto the leg portions of Mega V1 as indicated.
- 4 Make sure that the rocket connector is facing the proper direction and push down onto the top of Mega V1.
- 5 With the back side of Mega V4 facing forward, push down onto the rocket connector.
- 6 Push the front end of Mega V4 down onto the back of the rocket connector until it snaps into place.
- 7 Push head piece into the center of the rocket connector.

HOW TO ATTACH MEGA V2 & MEGA V3 TO MEGA VOYAGER

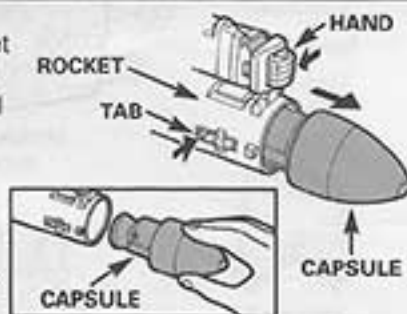


- 1 Pull out the handle on Mega V3 rocket as shown.
- 2 Place handle onto hand of Mega Voyager as shown.
- 3 Snap connectors on Mega V3 into the right side of the Megazord as shown.
- 4 Pull out gun handle on Mega V2 shuttle.
- 5 Place gun handle in hand of Mega Voyager.



HOW TO DETACH THE MEGA V3 CAPSULE

- 1 Push the tabs on the rocket together and the capsule will pop out. Or, gently pull and the capsule can be removed.
- 2 Make sure that the capsule is facing the proper direction before returning to original position.



Completed Deluxe Mega Voyager.