



TRANSMORPHER™

Asst. #4275
Item #4276

WARNING:
CHOKING HAZARD - Small parts.
Not for Children under 3 years.

CAUTION: PLEASE READ BEFORE PLAYING WITH TOY

- **Do not:** 1) aim toy at people 2) hit anyone with toy 3) poke anyone with toy 4) swing toy at anyone.
- Be careful not to pinch fingers with hinged parts of toy.
- **Do not** mix old and new batteries.
- **Do not** mix alkaline, standard (carbon-zinc), or rechargeable (nickel-cadmium) batteries.

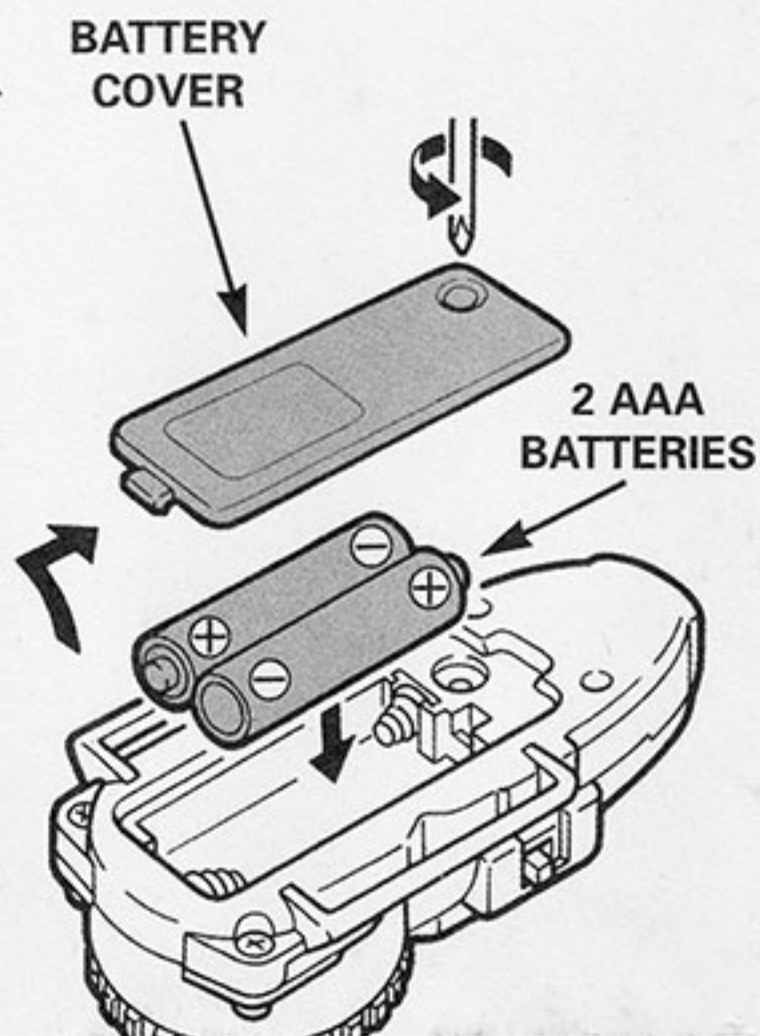
Conforms to safety standard ASTM F963-96a. Color, style, and decoration may vary. Distributed by Bandai America Incorporated, 5551 Katella Avenue, Cypress, California 90630. TM and © 1998. All Rights Reserved. POWER RANGERS LOST GALAXY and all related logos, names and distinctive likenesses thereof are the exclusive property of Saban Entertainment, Inc. and Saban International N.V. Used under license by Bandai America Incorporated.

CONTENTS

- 1 Transmorpher
- 1 Adjustable Wrist Band
- 1 Power Ranger Badge

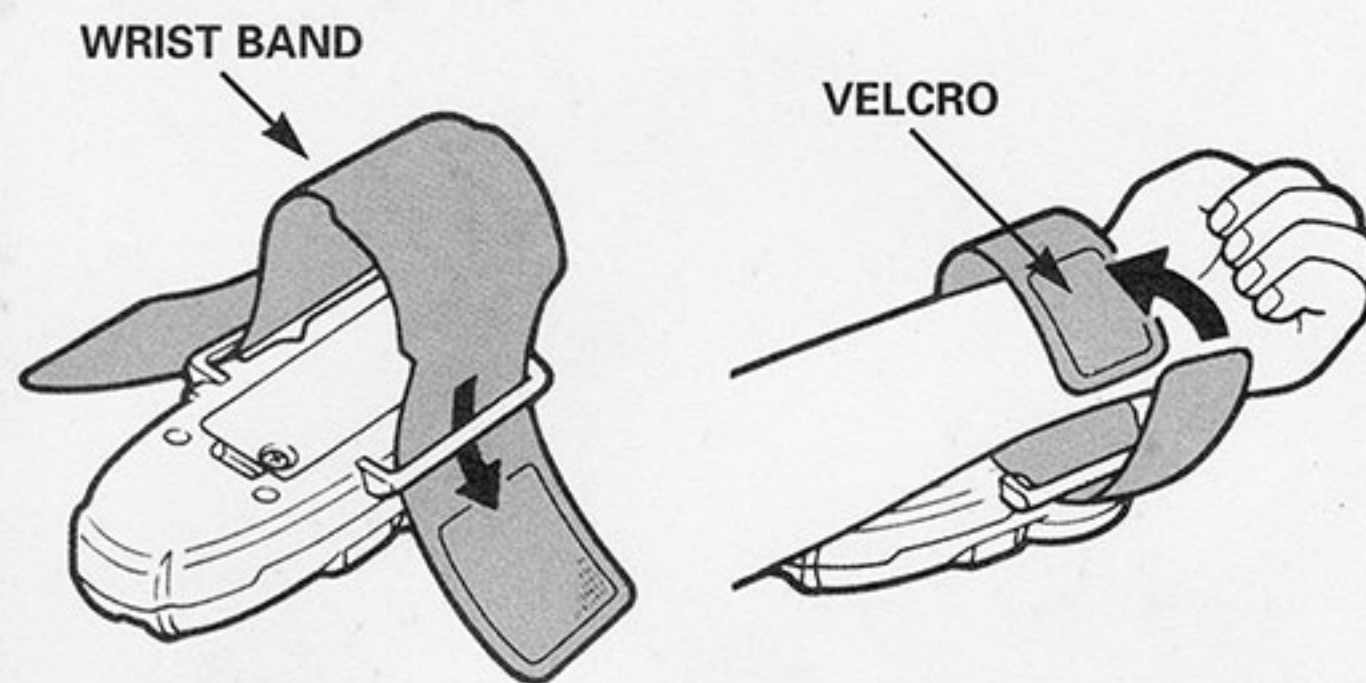
HOW TO INSERT BATTERIES

Slide the black button to "off" position. Use a small screwdriver to turn the screw counter clockwise until the battery cover is loose. Remove the battery cover and insert 2 AAA batteries (batteries not included), making sure to match the "+" and "-" indicators. Replace the battery cover, insert the bottom first and tighten the screw.



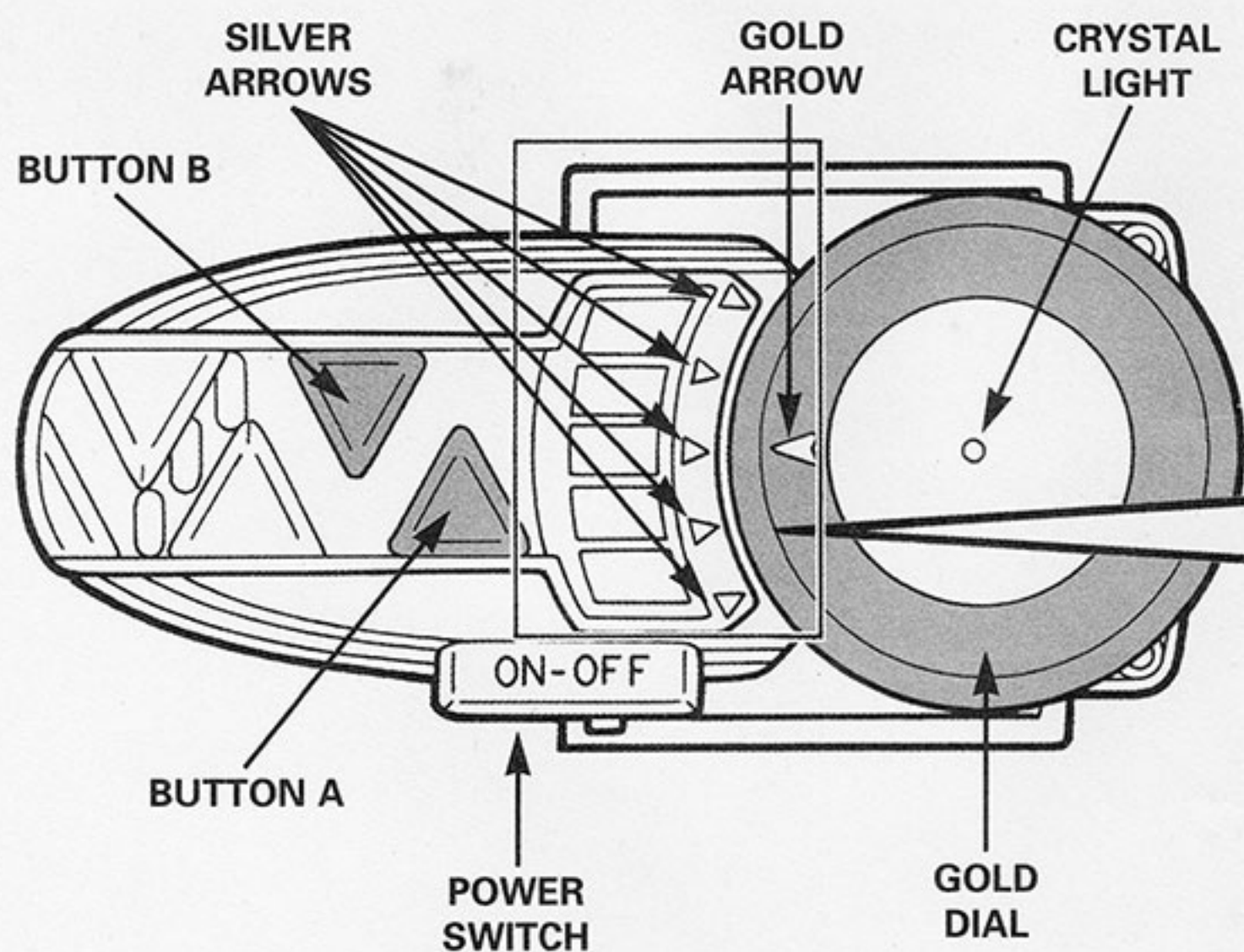
CAUTION: Battery may be harmful if swallowed.

HOW TO ATTACH WRIST BAND

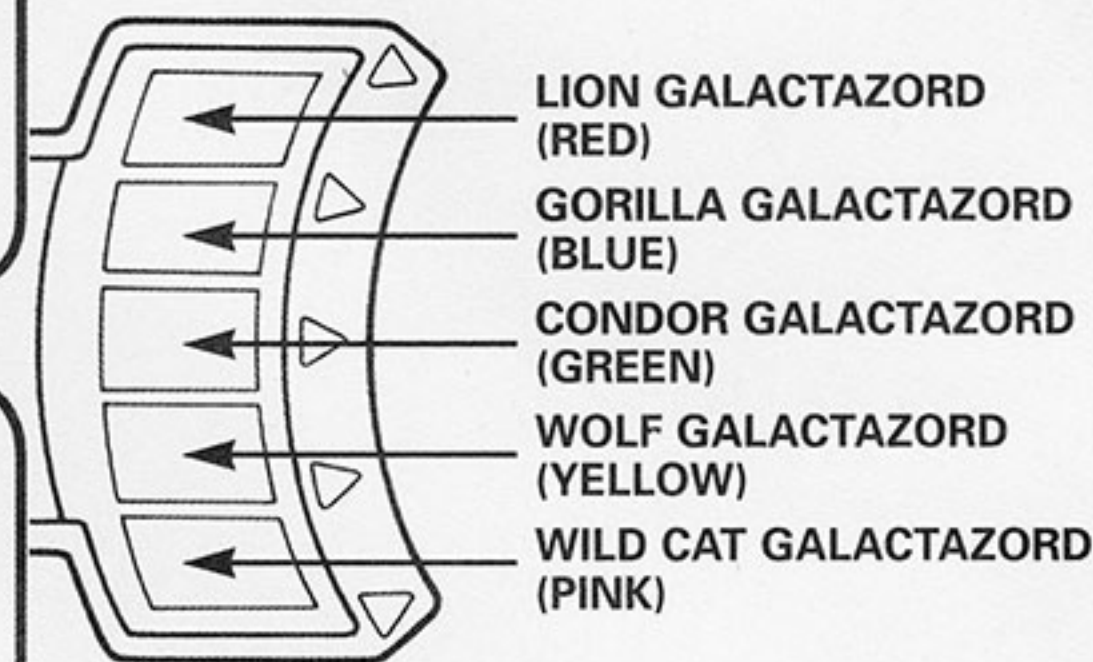


- 1 Insert both ends into loops on Morpher as picture shows.
- 2 Wrap band around left wrist and attach velcro as shown.

HOW TO PLAY WITH THE TRANSMORPHER



SOUND EFFECTS



- 1 Turn the power switch to "on." You will hear a "clanging" sound. While the morpher is on, you will hear a "beep" every 4 seconds.
- 2 Turn the dial so that the gold arrow matches up with one of the silver arrows. Press button "A" to activate animal zord sound and flashing light. Turn the dial to another silver arrow to hear a different sound. If arrow on gold dial is not lined up with one of the silver arrows, you will hear a communication beep and the light will flash.
- 3 Press button "B" to activate morphin sounds and crystal light.

HOW TO WEAR BADGE

