



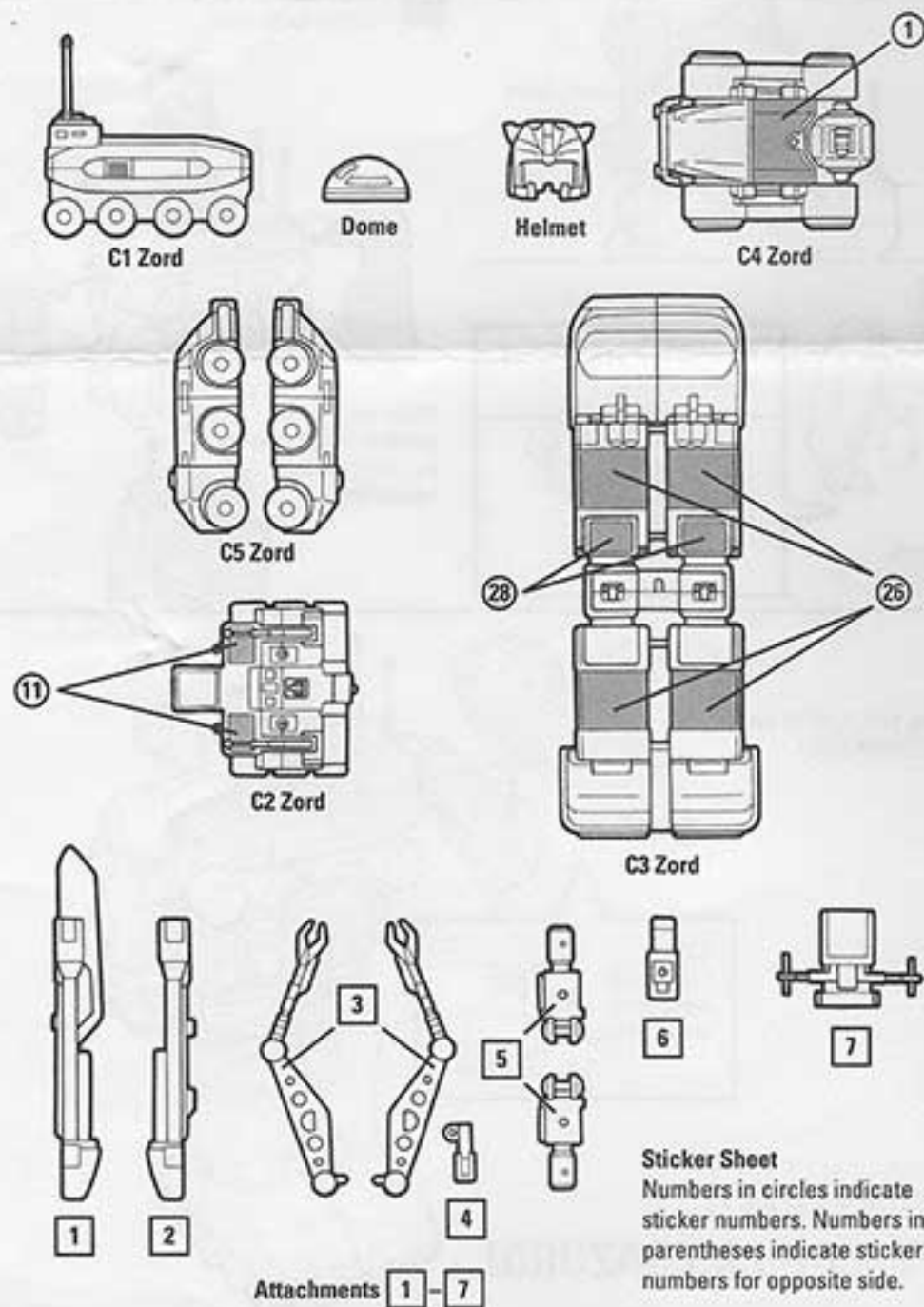
**WARNING:**  
**CHOKING HAZARD - Small parts.**  
Not for Children under 3 years.

**CAUTION:** Please read before playing with toy

- DO NOT: 1) hit anyone with toy 2) poke anyone with toy 3) swing toy at anyone.
- Be careful not to pinch fingers with hinged parts of toy.

# DELUXE CENTAURUS MEGAZORD™

## CONTENTS



## HOW TO ASSEMBLE INDIVIDUAL ZORD VEHICLES

### C1 Zord

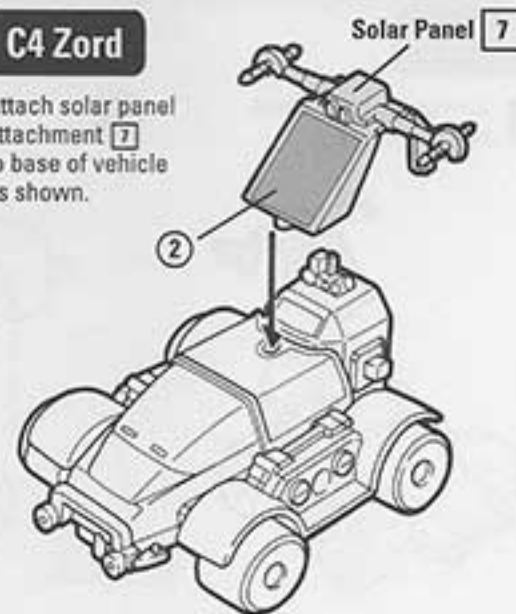
1. Place attachment 1 on dome as shown.
2. Place dome on C1 Zord.



COMPLETED C1 ZORD!

### C4 Zord

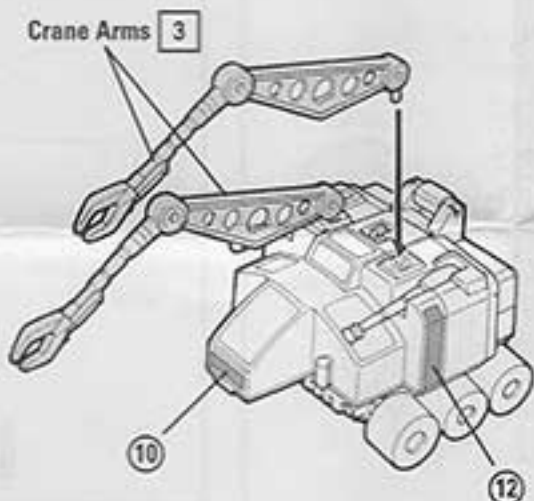
- Attach solar panel attachment 7 to base of vehicle as shown.



COMPLETED C4 ZORD!

### C2 Zord

- Attach crane arms 3 to vehicle as shown.



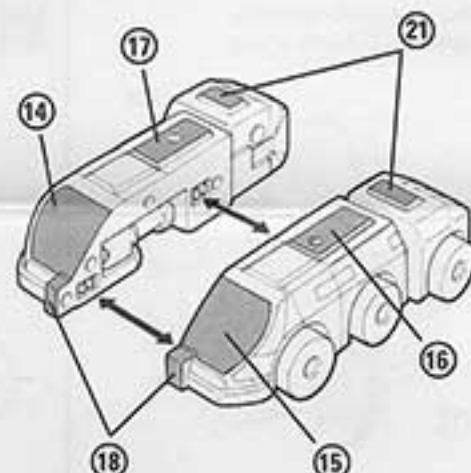
Pull the antennas upward.



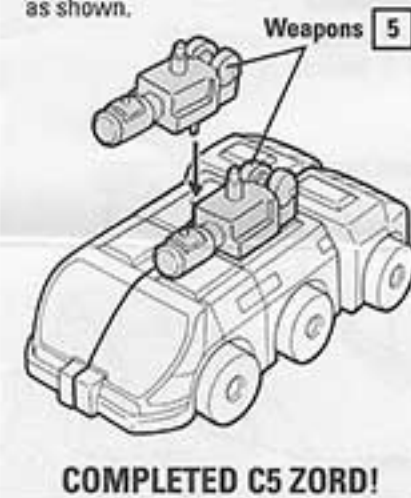
COMPLETED C2 ZORD!

### C5 Zord

- Press left and right halves together until they click into place.

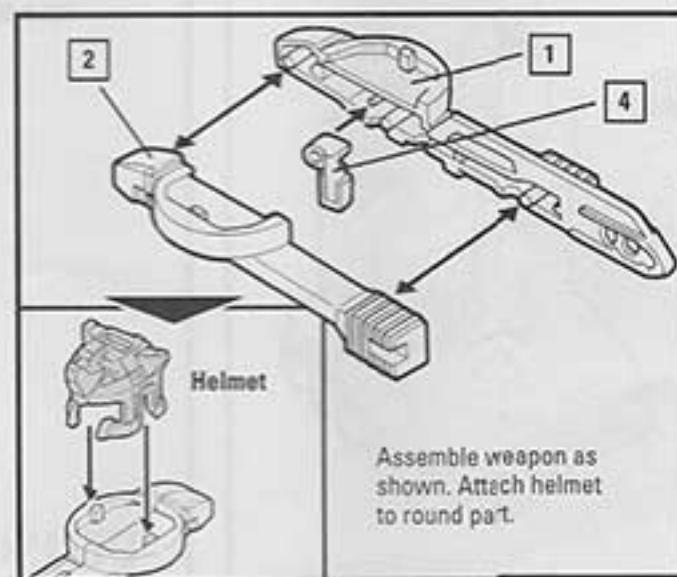


- Attach weapons 5 to vehicle as shown.



COMPLETED C5 ZORD!

### C3 Zord

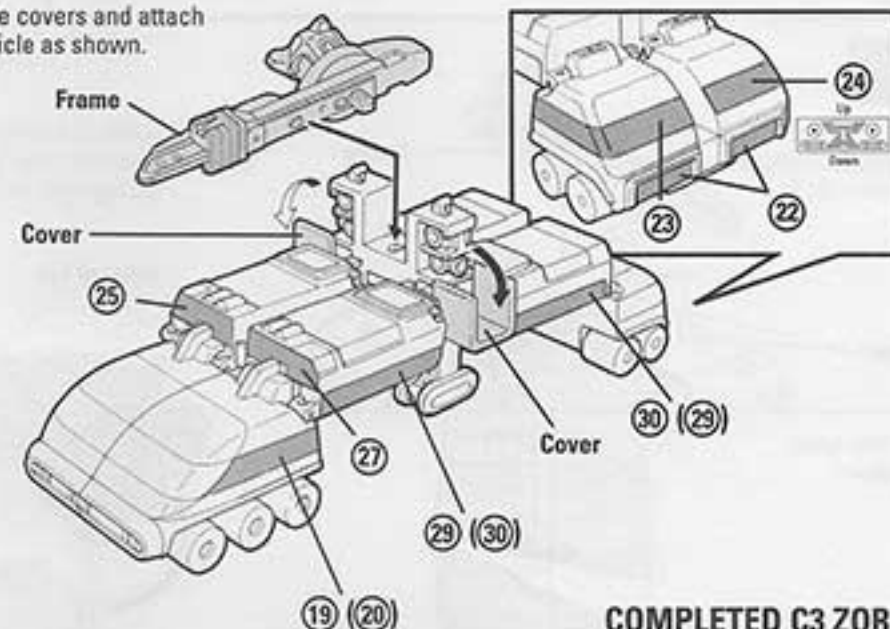


Assemble weapon as shown. Attach helmet to round part.

Place stickers 25 and 27 on vehicle when two halves are separated.



- Open the side covers and attach frame to vehicle as shown.



COMPLETED C3 ZORD!



## HOW TO TRANSFORM INDIVIDUAL ZORDS

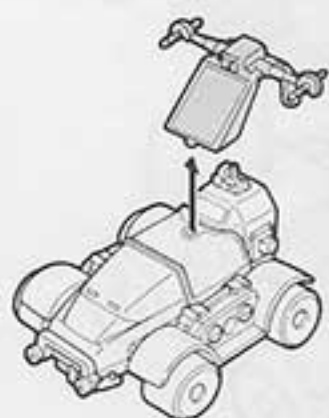
### C1 Zord



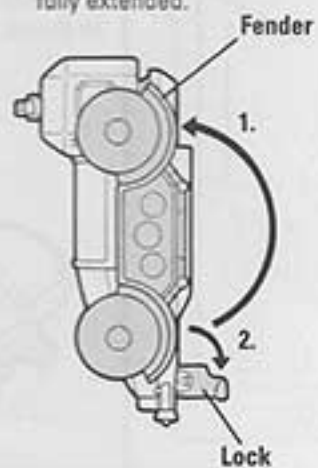
READY TO COMBINE!

### C4 Zord

- 1 Detach the solar panel part as shown.



- 2 1. Rotate fender 180°. 2. Pull out lock until fully extended.



3

1. Pull head out as shown. 2. Move head backward.

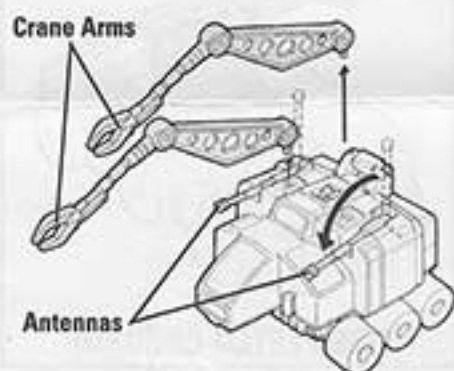
4

1. Rotate head 180°.

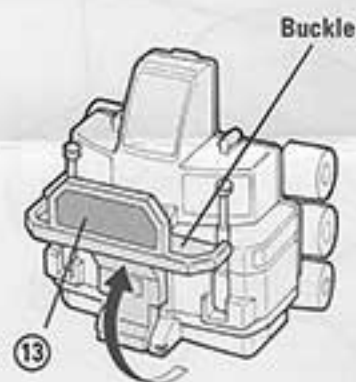
READY TO COMBINE!

### C2 Zord

1. Rotate antennas 90°.
2. Detach crane arms.



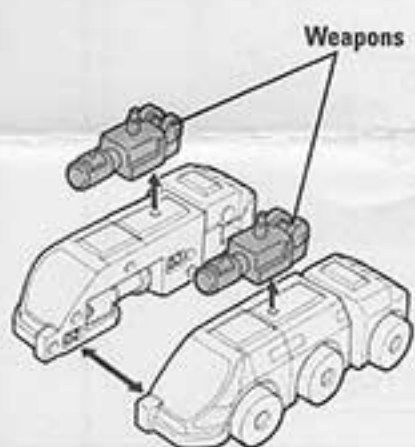
- 2 Rotate buckle upwards until it clicks into place.



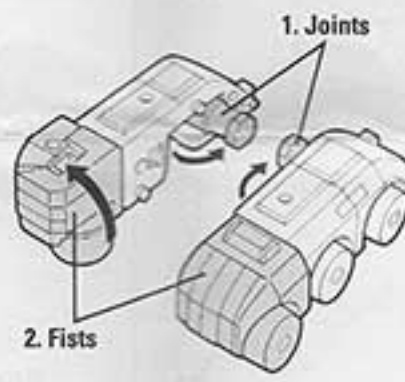
READY TO COMBINE!

### C5 Zord

1. Detach weapons.
2. Pull the Zord apart into 2 pieces.



- 2 1. Pull joints out 90°.
2. Rotate fists 90°.



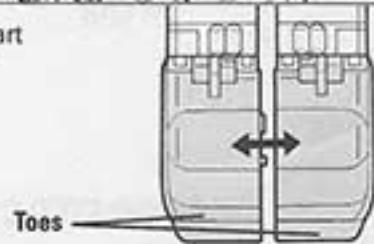
READY TO COMBINE!

### C3 Zord

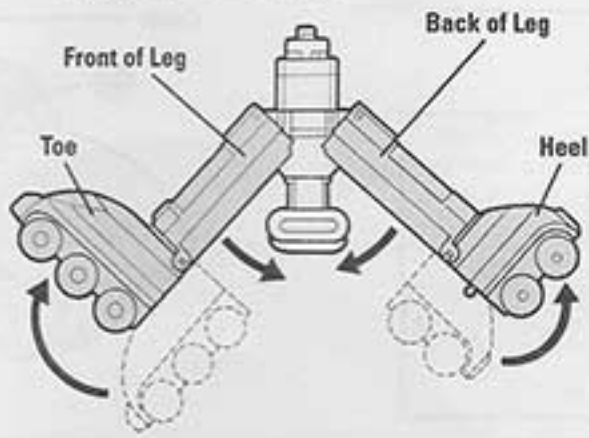
- 1 Detach frame and push covers in until they click.



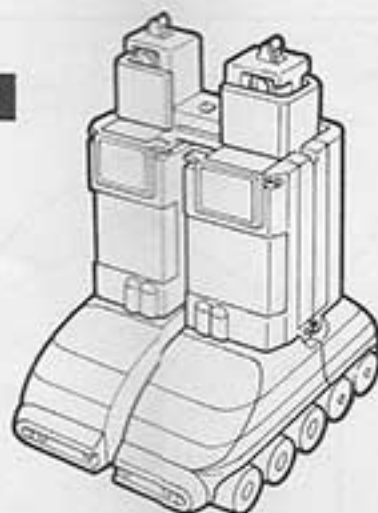
- 2 Pull toes apart as shown.



- 3 1. Rotate toe and heel 90°.
2. Push front and back parts of leg together until they click.



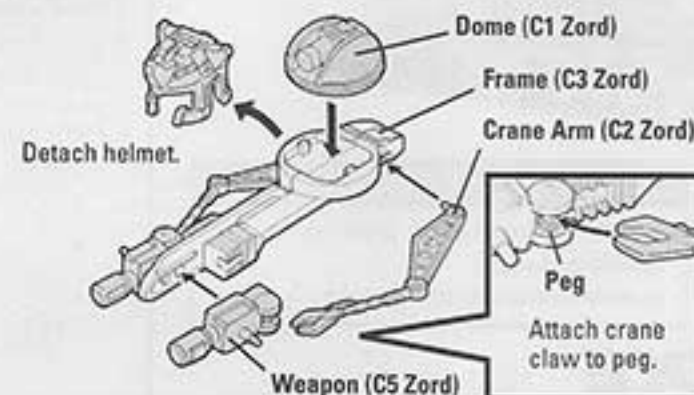
4



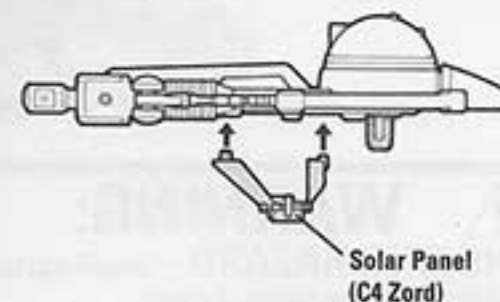
READY TO COMBINE!

## HOW TO ASSEMBLE CENTAURUS WEAPON

Use parts from each Zord and attach to frame as shown.



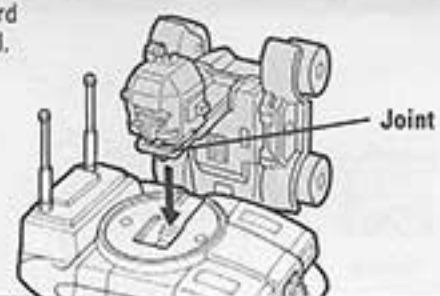
Attach solar panel piece as shown.



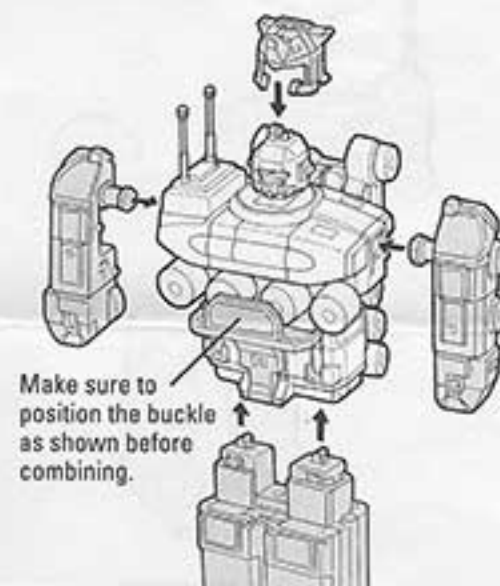
COMPLETED CENTAURUS WEAPON

## HOW TO COMBINE ZORDS INTO THE DELUXE CENTAURUS MEGAZORD

- 1 Connect joint of C4 Zord and groove on C1 Zord.

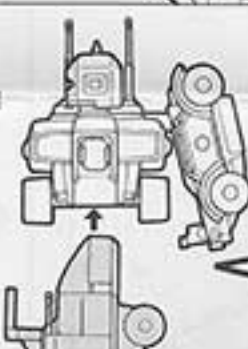


- 3 Attach arms, legs and helmet as shown.



2

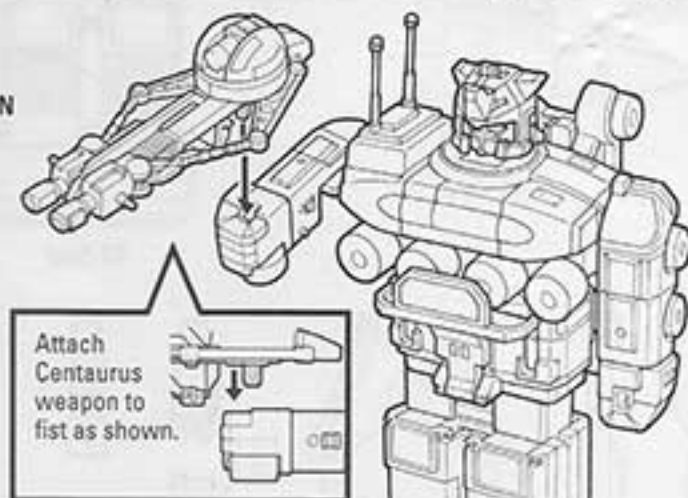
1. Place C1 Zord onto C2 Zord as shown.



2. Insert lock from C4 Zord into C2 Zord.



DELUXE CENTAURUS MEGAZORD CAN HOLD WEAPON IN EITHER FIST!



COMPLETED  
DELUXE CENTAURUS MEGAZORD!