



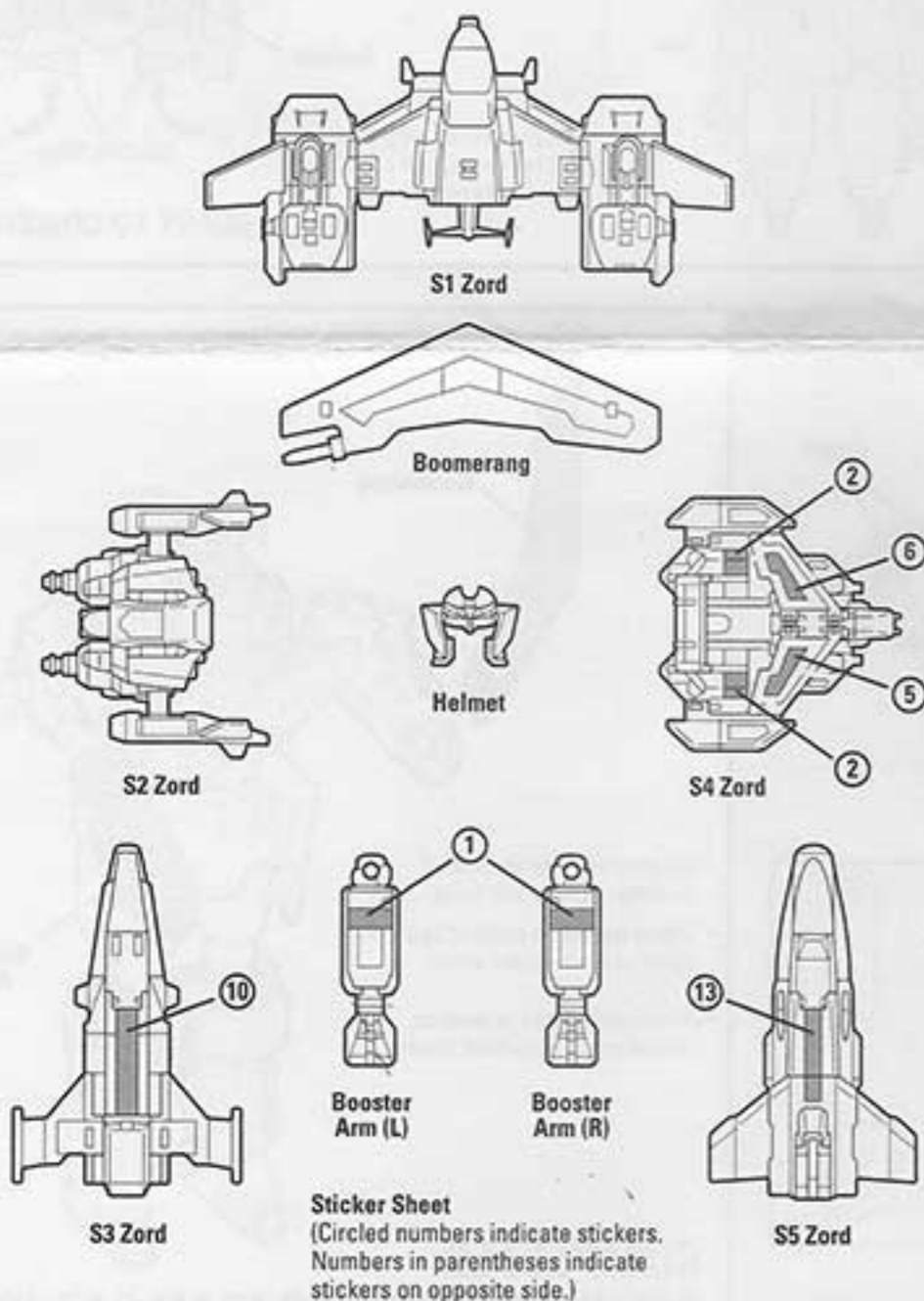
WARNING:
CHOKING HAZARD - Small parts.
Not for Children under 3 years.

CAUTION: Please read before playing with toy

- DO NOT: 1) hit anyone with toy 2) poke anyone with toy 3) swing toy at anyone 4) fire missile at anyone.
- Be careful not to pinch fingers with hinged parts of toy.

DELUXE STRATOFORCE MEGAZORD™

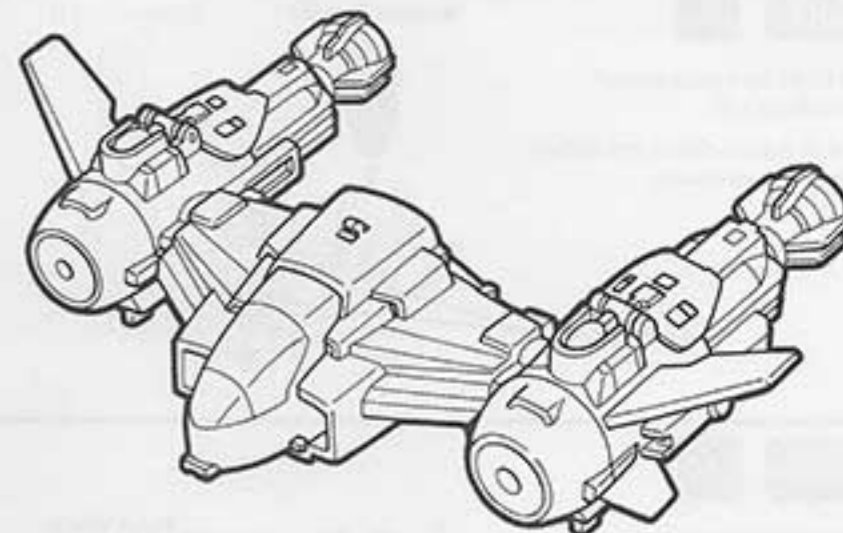
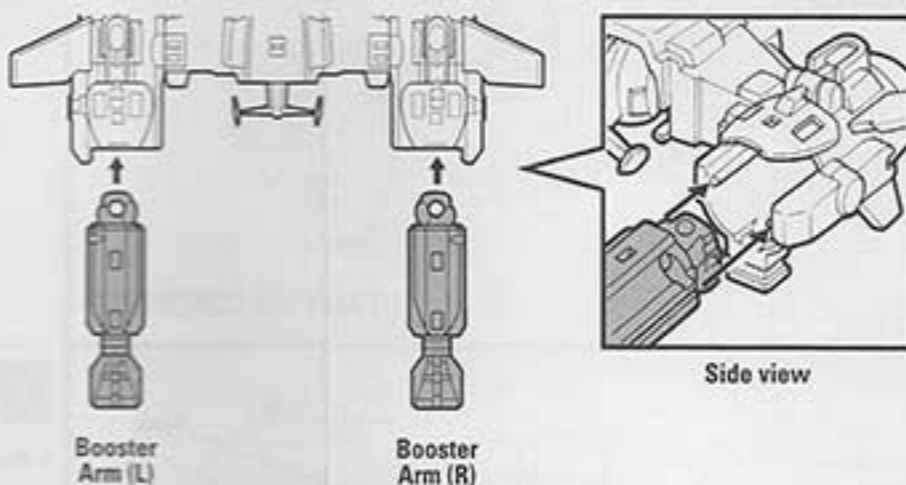
CONTENTS



HOW TO ASSEMBLE INDIVIDUAL ZORDS

S1 Zord

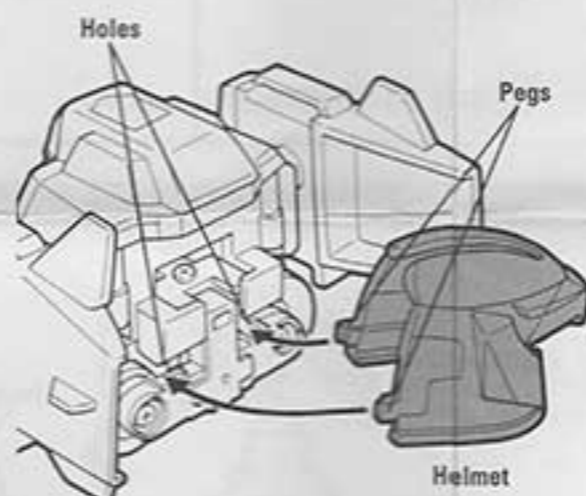
1. Attach booster arms to base of Zord as shown.
2. Make sure that holes on booster arms face up.



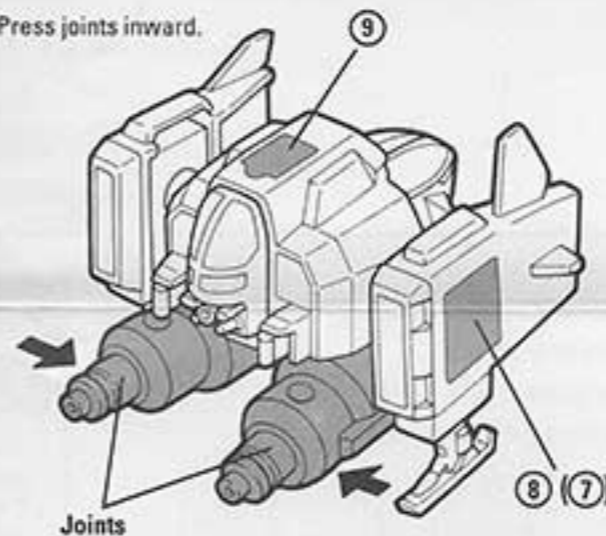
COMPLETED S1 ZORD!

S2 Zord

- Line up pegs on helmet with holes in back of Zord. Snap together.

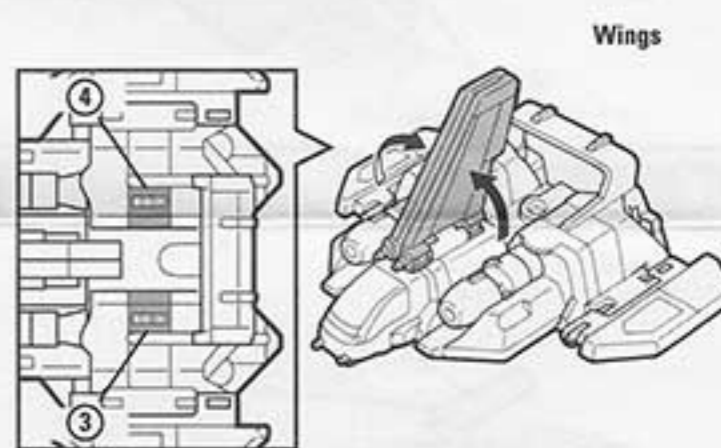


Press joints inward.

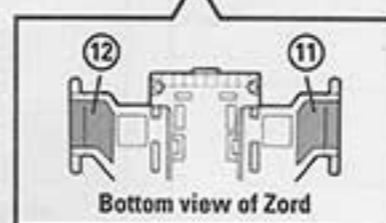
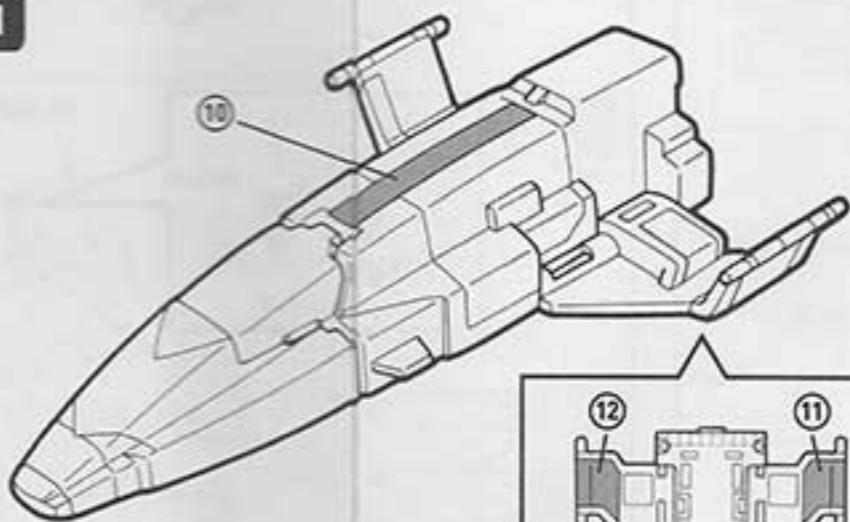


S4 Zord

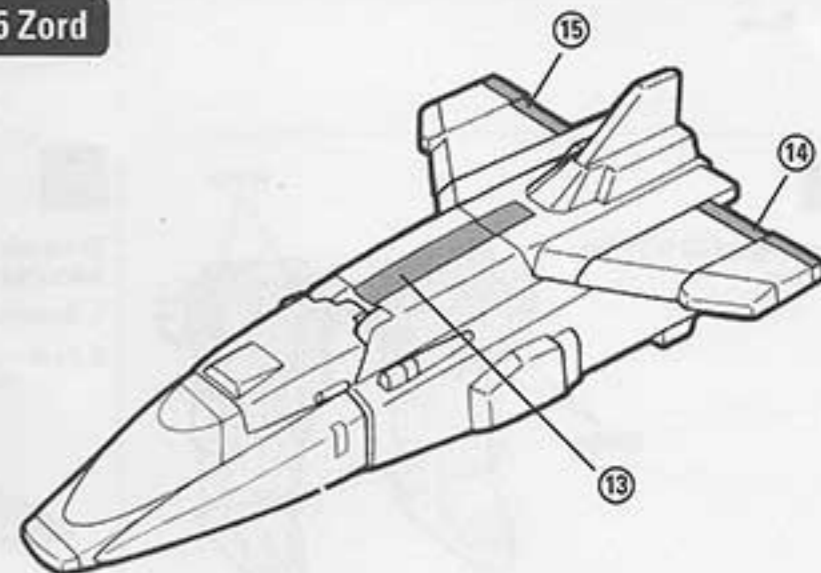
- Flip wings up 90° as shown.



S3 Zord



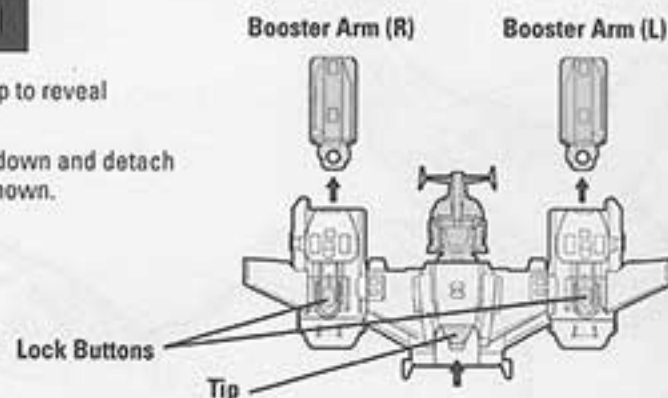
S5 Zord



HOW TO PREPARE INDIVIDUAL ZORDS FOR COMBINING

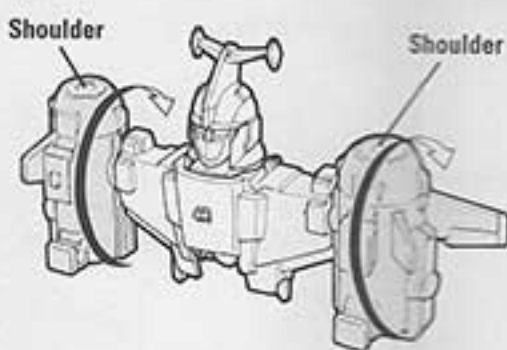
S1 Zord 1

1. Press tip of Zord up to reveal face of Megazord.
2. Hold lock buttons down and detach booster arms as shown.



2

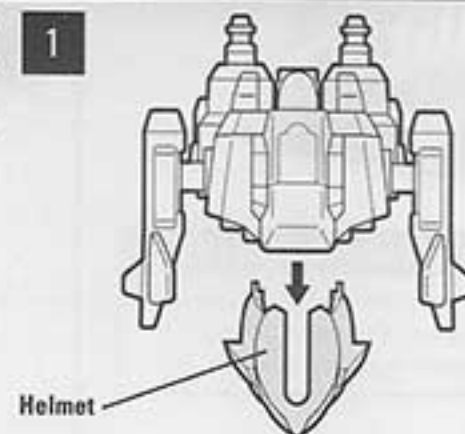
2. Rotate shoulders 180°.



READY TO COMBINE!

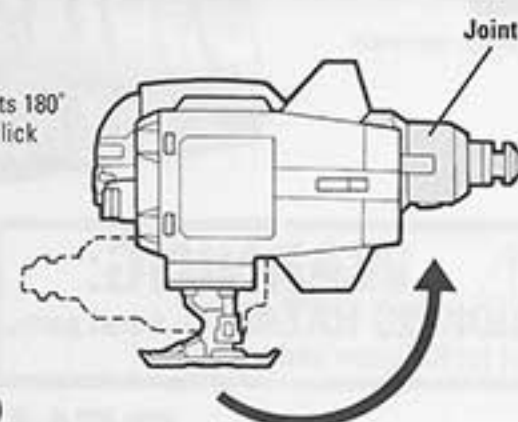
S2 Zord 1

1. Detach helmet as shown.



2

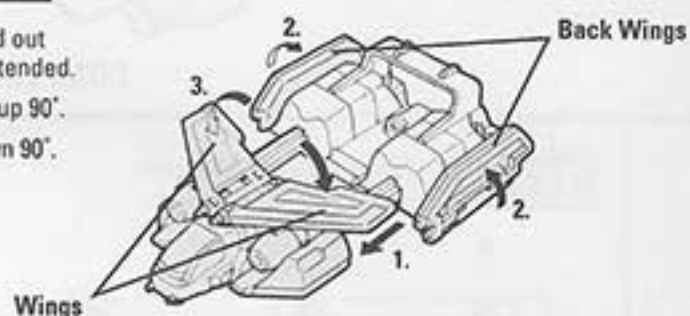
2. Rotate joints 180° until they click into place.



(side view)

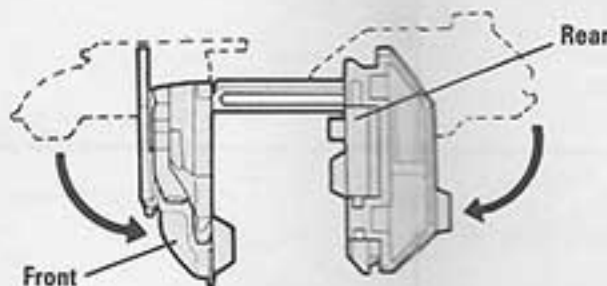
S4 Zord 1

1. Pull body of Zord out until it is fully extended.
2. Flip back wings up 90°.
3. Push wings down 90°.



2

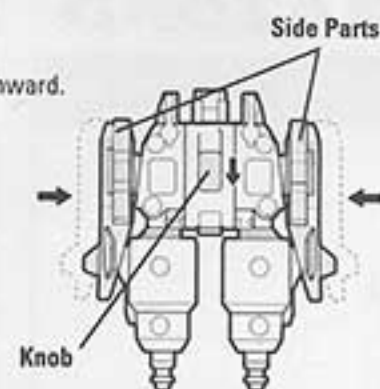
2. Rotate front and rear parts of body 90°.



READY TO COMBINE!

3

1. Press the side parts inward.
2. Push knob down.

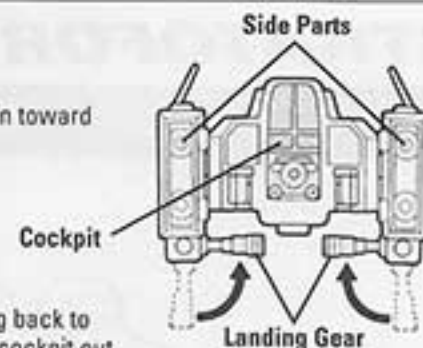


(back view)

4

4. Push landing gear in toward body of Zord.

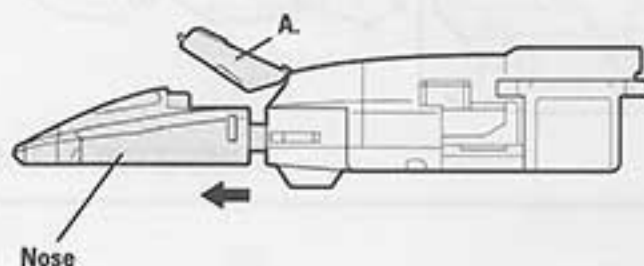
(When transforming back to S2 Zord mode, pull cockpit out before side parts.)



READY TO COMBINE!

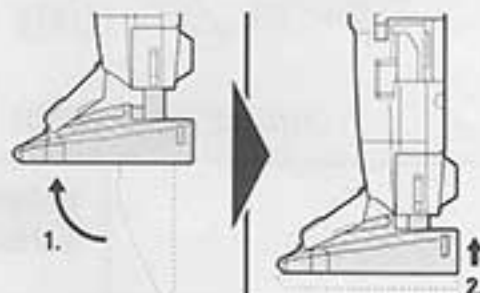
S3 & S5 Zord 1

1. Pull nose of plane out as shown. Part A will pop up automatically.



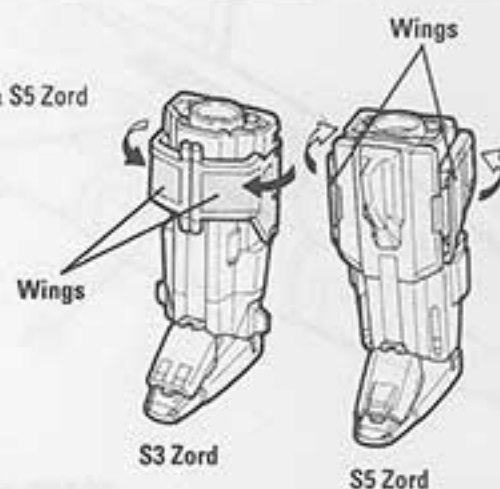
2

1. Rotate nose of plane 90°.
2. Push up on foot until it clicks into place.
3. Repeat steps 1 and 2 for S5 Zord.



3

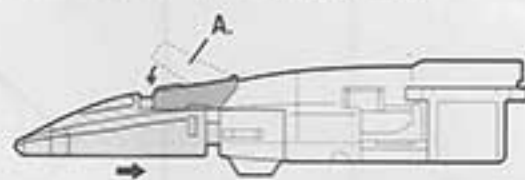
3. Move wings of S3 & S5 Zord as shown.



4

- To transform S3 & S5 Zords back to individual Zords, follow the following steps:

1. Straighten nose parts and push down on A.
2. Push nose part in towards base of Zord.

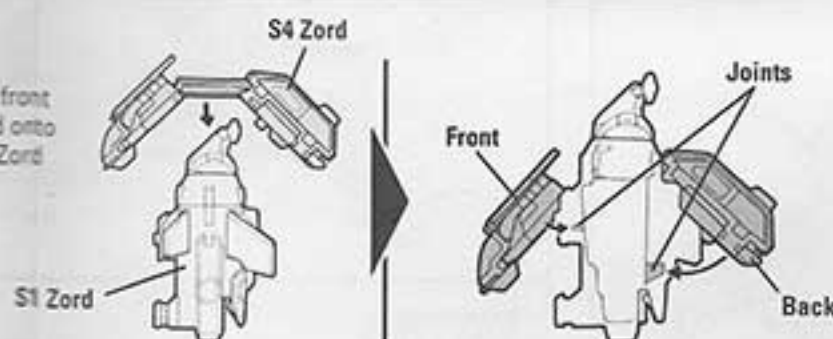


Illustrations above show S3 Zord. Follow same instructions for S5 Zord.

HOW TO COMBINE INDIVIDUAL ZORDS

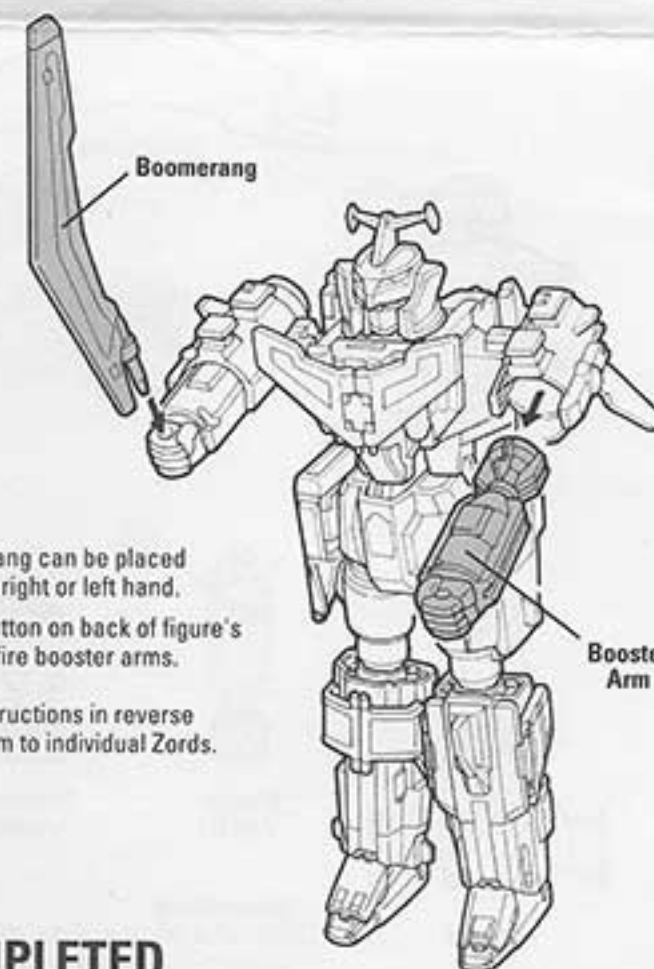
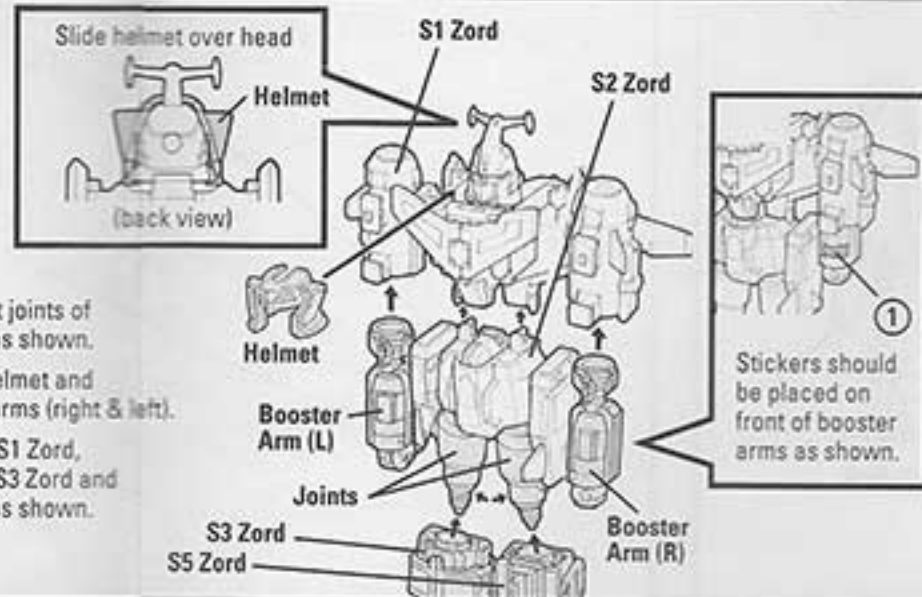
1

1. To combine, attach front and back of S4 Zord onto the joints of the S1 Zord as shown.



2

1. Pull apart joints of S1 Zord as shown.
2. Attach helmet and booster arms (right & left).
3. Connect S1 Zord, S2 Zord, S3 Zord and S5 Zord as shown.



- Boomerang can be placed in either right or left hand.
- Press button on back of figure's arms to fire booster arms.

Follow instructions in reverse to transform to individual Zords.

**COMPLETED
DELUXE STRATOFORCE MEGAZORD!**