



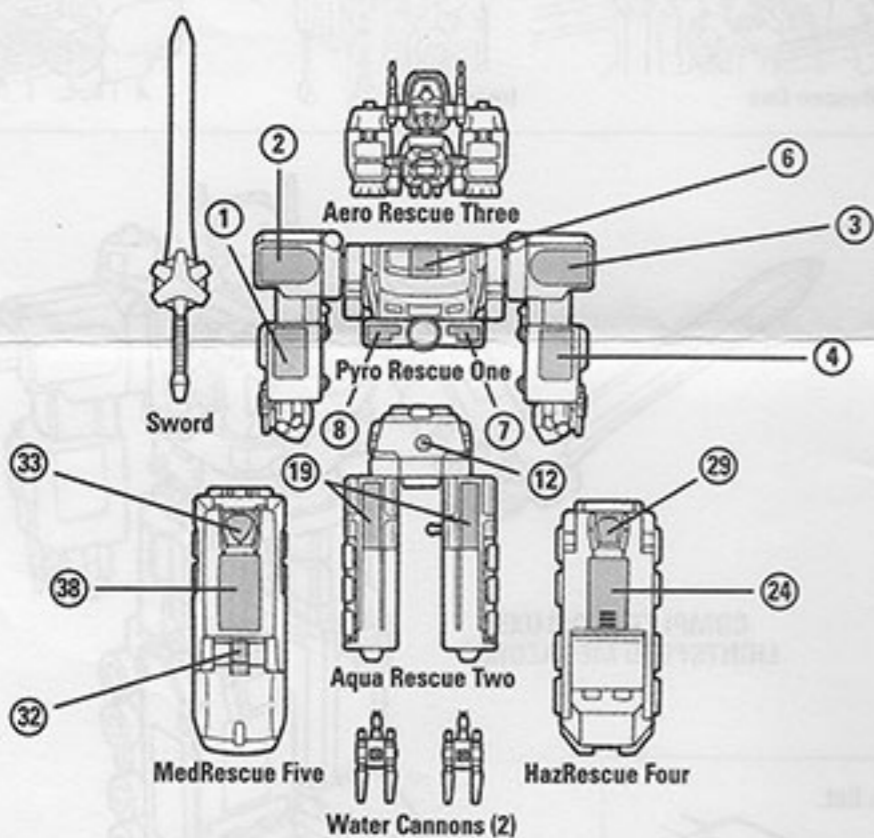
WARNING:
CHOKING HAZARD - Small parts.
Not for Children under 3 years.

CAUTION: PLEASE READ BEFORE PLAYING WITH TOY

- Do not: 1) aim toy at anyone, 2) hit anyone with toy, 3) poke anyone with toy, 4) swing toy at anyone, 5) step on toy.
- Be careful not to pinch fingers with hinged parts of toy.

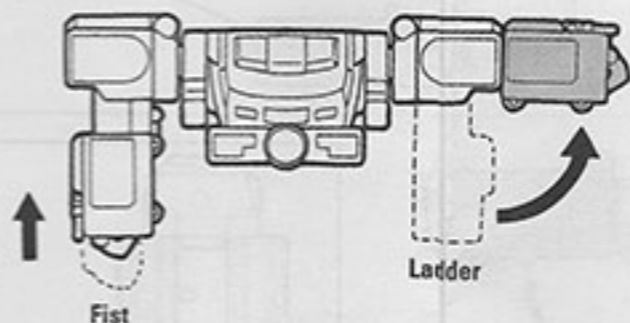
CONTENTS

Circled numbers indicate stickers. Circled numbers in parentheses indicate sticker goes on opposite side.



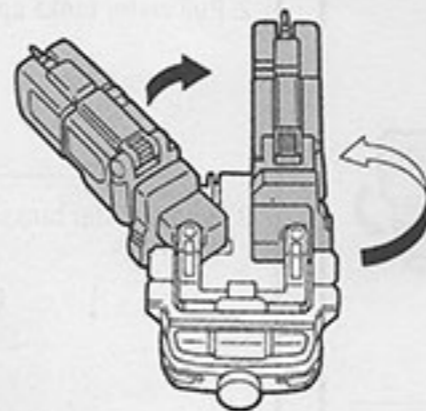
PYRO RESCUE ONE

1. Push fists in to store and flip ladders up, as shown.

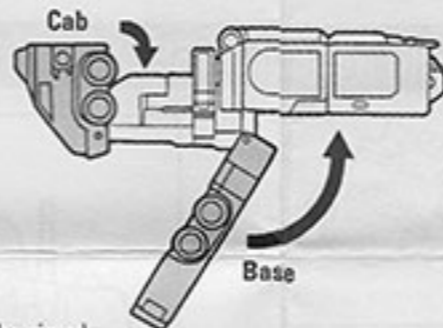


(top view)

2. Rotate ladders back, as shown.

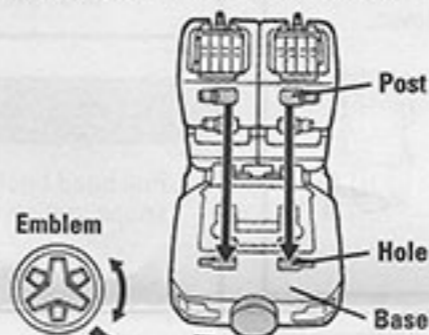


3. Flip base back and attach to ladders.
4. Rotate cab 90°.



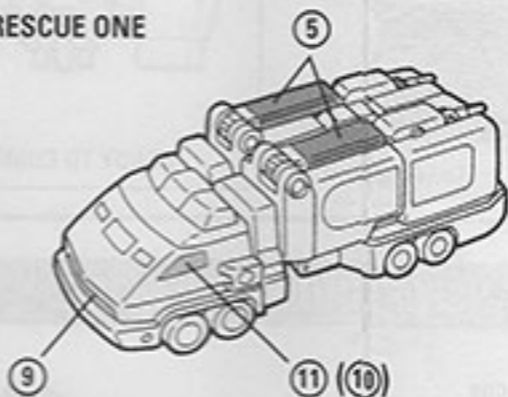
(side view)

5. Attach posts on ladders to holes on base.

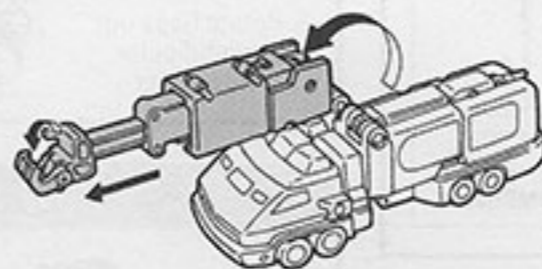


(emblem can be rotated)

PYRO RESCUE ONE

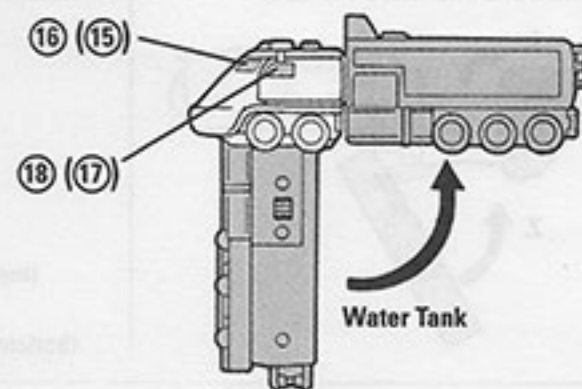


To extend the ladder arms, rotate entire ladder forward and pull out the fist.

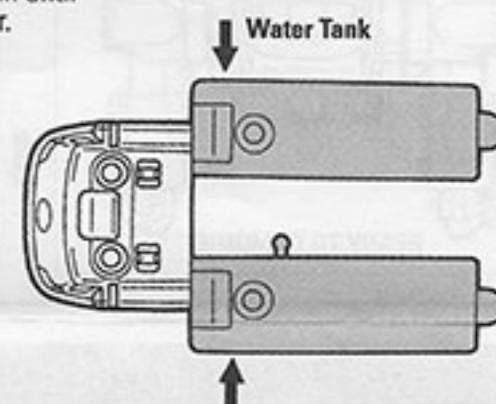


AQUA RESCUE TWO

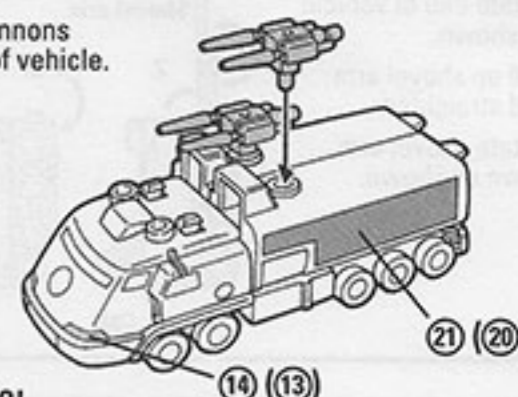
1. Rotate water tanks 90°.



2. Push water tanks in until they snap together.



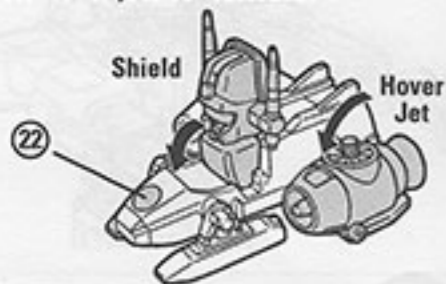
3. Attach water cannons to holes on top of vehicle.



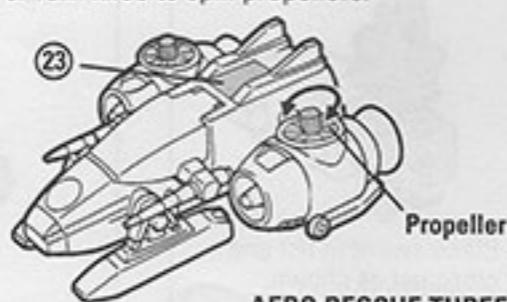
AQUA RESCUE TWO!

AERO RESCUE THREE

1. Push down on shield to store head.
2. Rotate hover jets 90° forward.



3. Turn knob to spin propellers.



AERO RESCUE THREE!

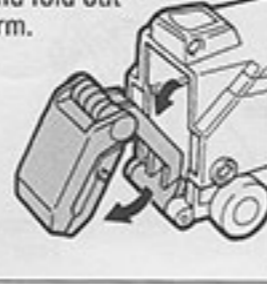
HAZRESCUE FOUR

Shovel arm at back of vehicle can be extended.



HAZRESCUE FOUR!

Pull shovel out of hatch and fold out arm.

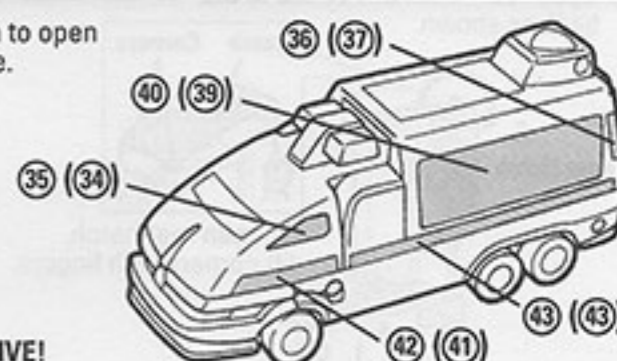


Open shovel as shown.



MEDRESCUE FIVE

Pull rear hatch to open back of vehicle.

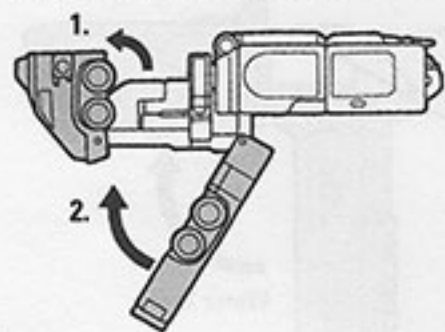


MEDRESCUE FIVE!

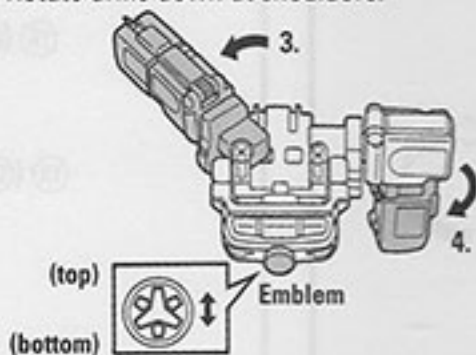
HOW TO TRANSFORM FROM VEHICLE MODE TO ZORD MODE

PYRO RESCUE ONE

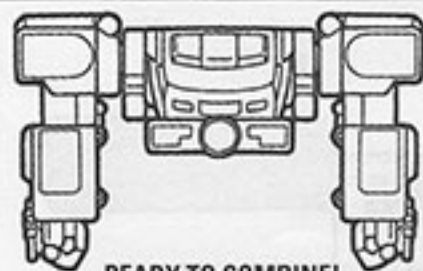
1. Rotate cab forward 90°.
2. Rotate base and attach to cab.



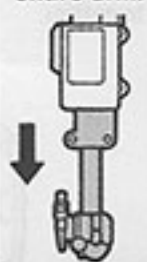
3. Open both arms as shown.
4. Rotate arms down at shoulders.



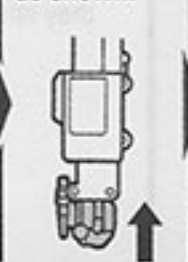
To extend arms in correct Zord position:



Pull fist to extend entire arm.



Push fist back into position as shown.

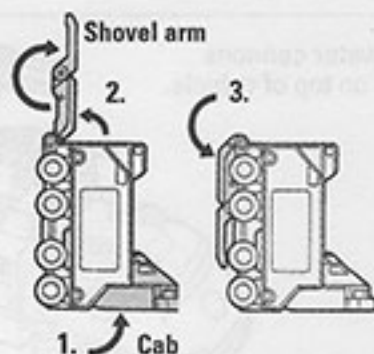


Push forearm back into position as shown.



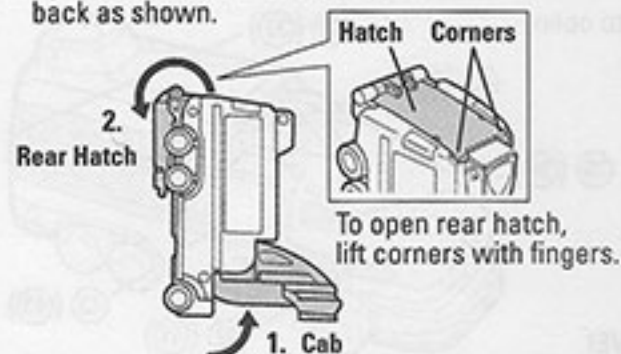
HAZRESCUE FOUR

1. Rotate cab of vehicle as shown.
2. Pull up shovel arm and straighten.
3. Rotate shovel arm down as shown.



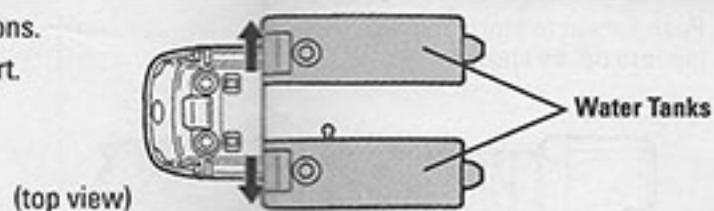
MEDRESCUE FIVE

1. Rotate cab of vehicle as shown.
2. Open rear hatch and rotate to the back as shown.

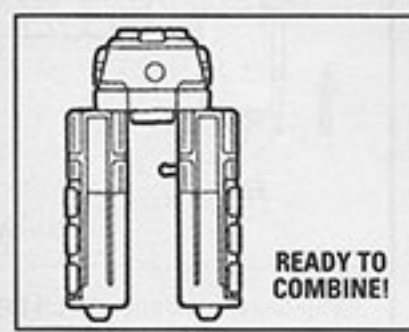
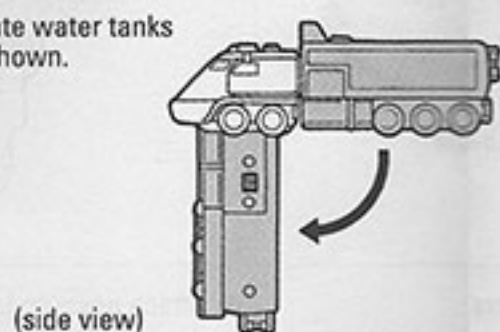


AQUA RESCUE TWO

1. Remove water cannons.
2. Pull water tanks apart.



3. Rotate water tanks as shown.



AERO RESCUE THREE

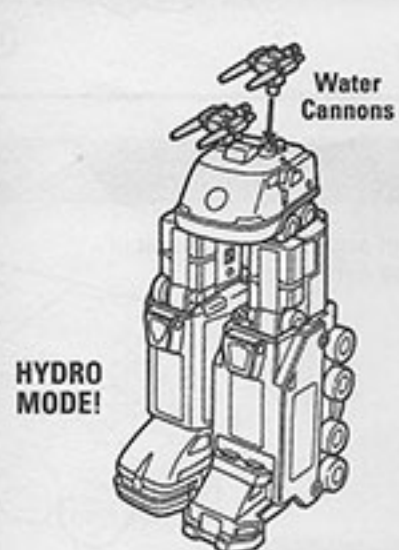
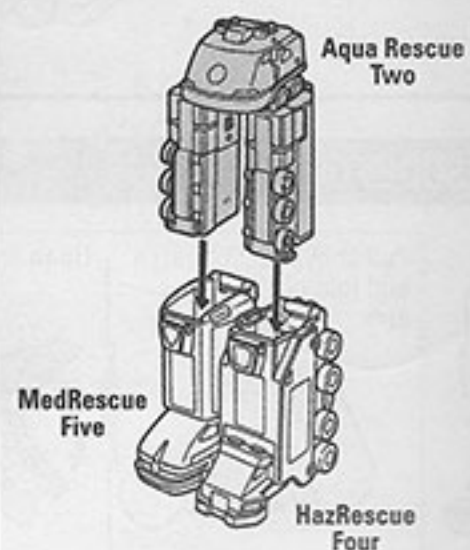
1. Pull head back until it snaps into place.



2. Rotate landing gear up and around 180°.
3. Rotate hover jets 90°.
3. Rotate flaps out perpendicular to hover jets.

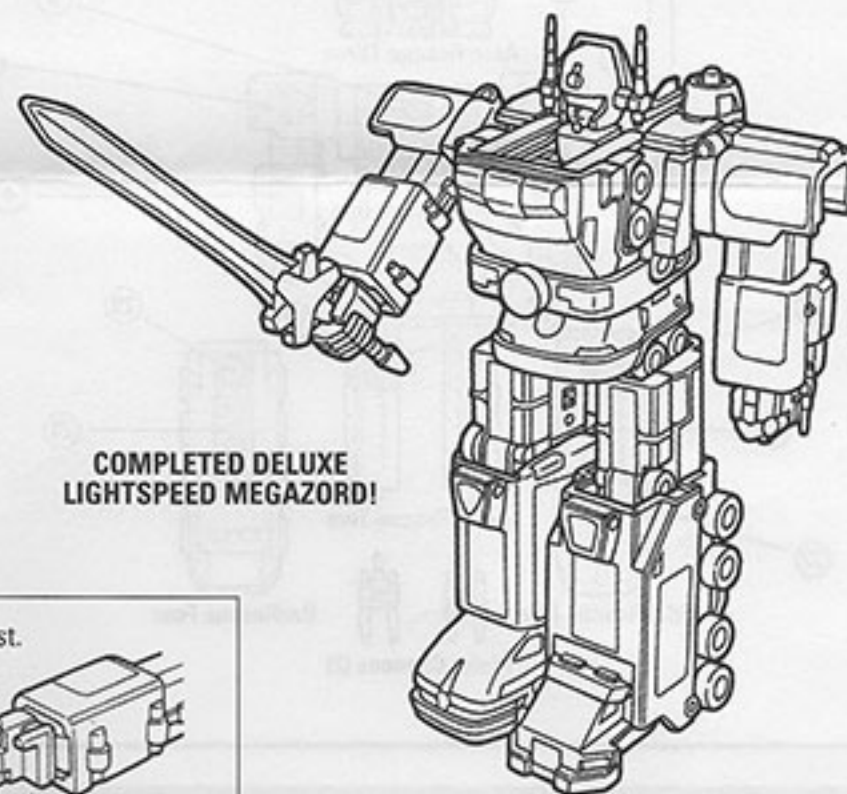
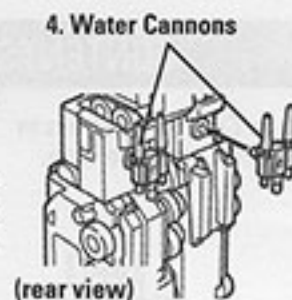
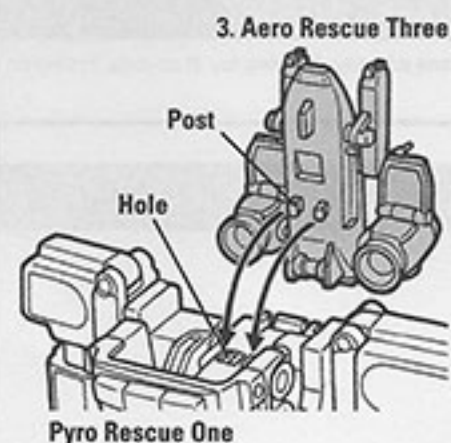
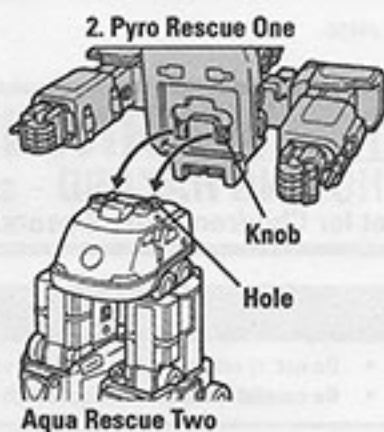


HOW TO TRANSFORM TO HYDRO MODE



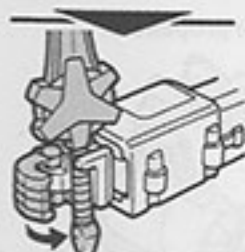
COMPLETING TRANSFORMATION TO ZORD MODE

1. Transform Aqua Rescue Two, HazRescue Four and MedRescue Five to Hydro Mode.
2. Remove water cannons and insert knobs in bottom of Pyro Rescue One into holes in top of Aqua Rescue Two.
3. Insert posts on bottom of Aero Rescue Three into holes on top of Pyro Rescue One until they click into place.
4. Attach water cannons to back of Zord, as shown.



COMPLETED DELUXE LIGHTSPEED MEGAZORD!

Open fist.



Place sword in fist and close fist as shown.

Fist Extending Action!

