

WARNING:
CHOKING HAZARD - Small parts.
Not for Children under 3 years.

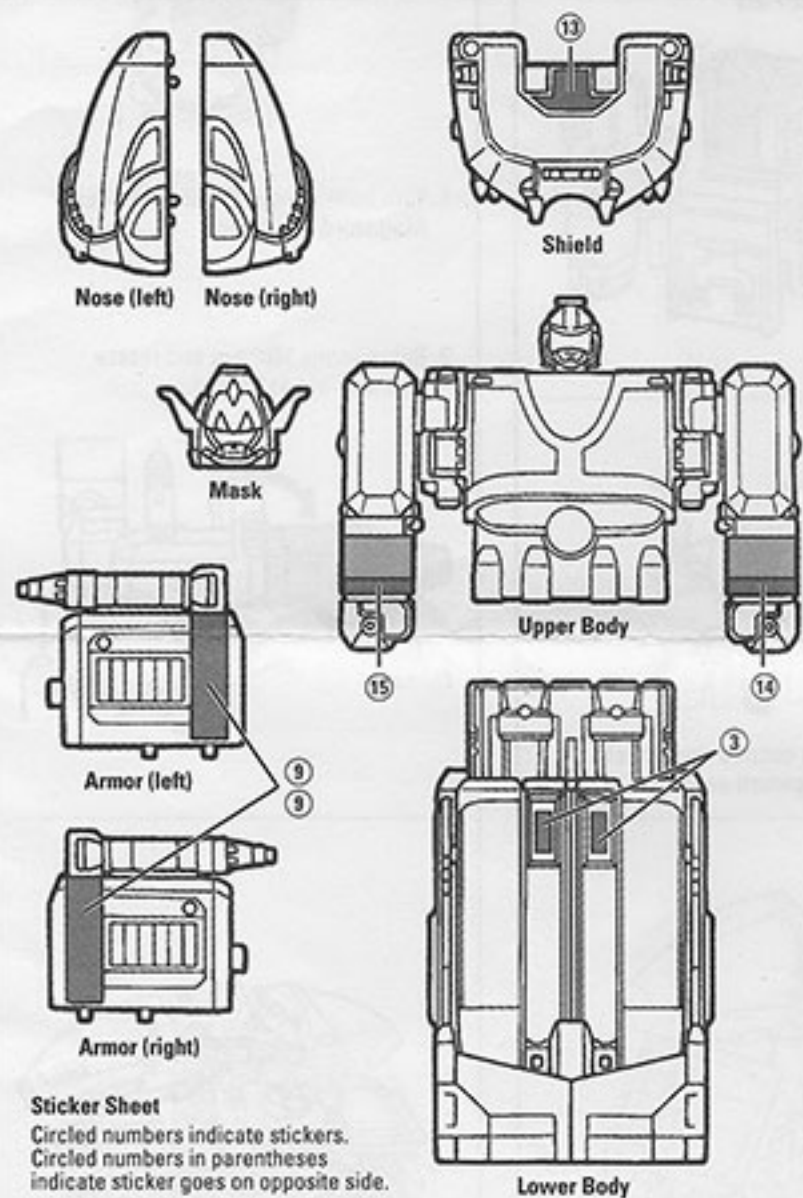
CAUTION: PLEASE READ BEFORE PLAYING WITH TOY

- Do not: 1) aim toy at anyone, 2) hit anyone with toy, 3) poke anyone with toy, 4) swing toy at anyone, 5) step on toy.
- Be careful not to pinch fingers with hinged parts of toy.

DELUXE MAX SOLARZORD™

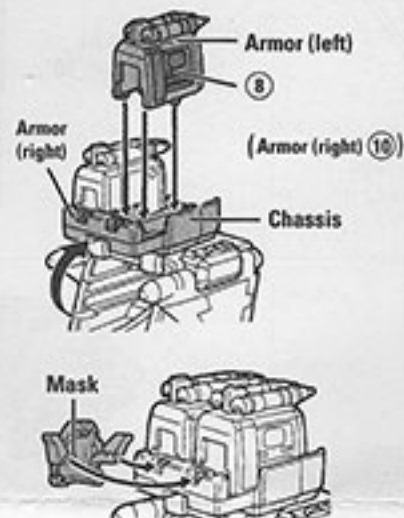


CONTENTS

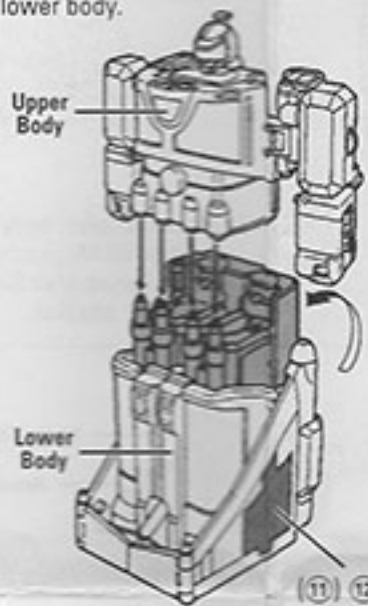


HOW TO TRANSFORM TO MEGAZORD MODE

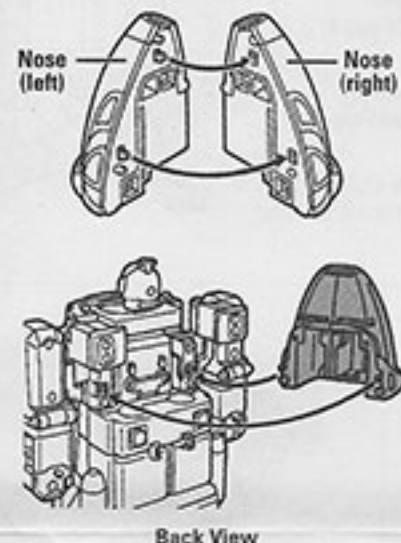
1. Flip chassis back away from the lower body and snap the armor onto the chassis as shown. Rotate the chassis back into the lower body.



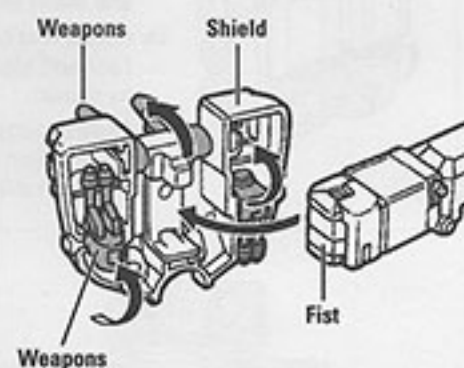
2. Attach the upper body to the lower body.



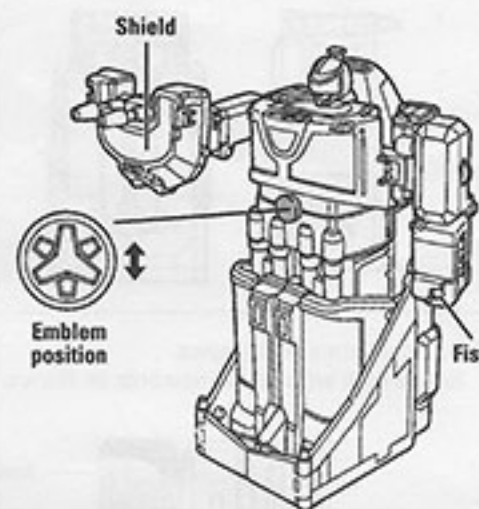
3. Attach halves of shuttle nose together. Attach the shuttle nose to the back of the Megazord as shown.



4. Rotate the weapons as shown.



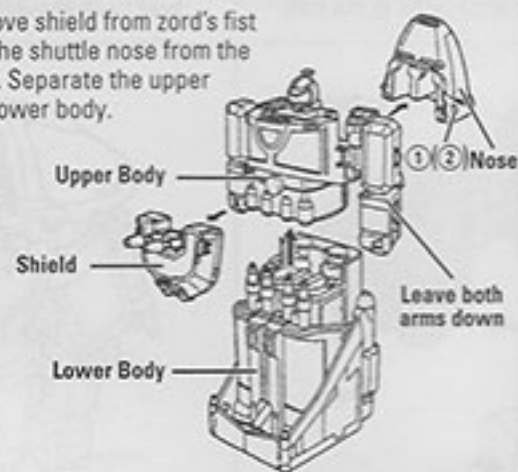
5. Shield can be placed in either fist.



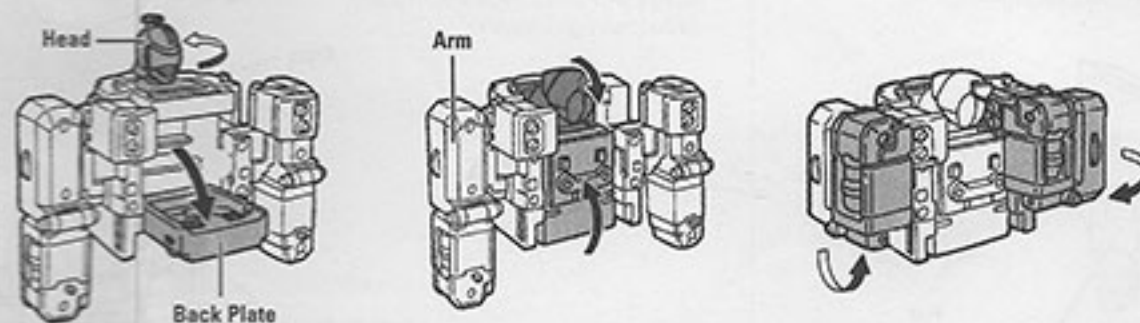
Completed Megazord Mode!

HOW TO TRANSFORM TO SHUTTLE MODE

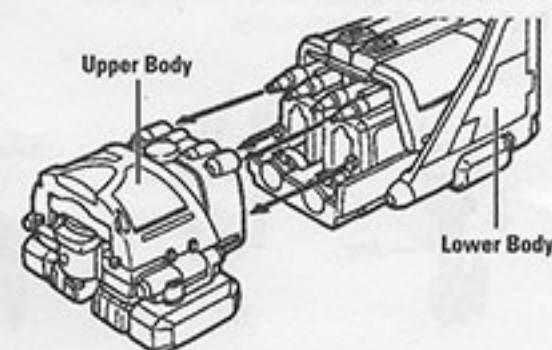
1. Remove shield from zord's fist and the shuttle nose from the back. Separate the upper and lower body.



2. Open the back plate on upper body and rotate the head around 180°. Fold both arms at elbows and rotate arms inside 90° as shown.

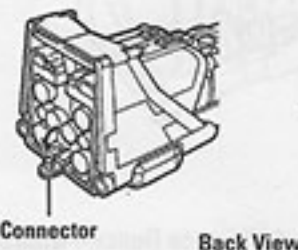


3. Reattach upper and lower body as shown.

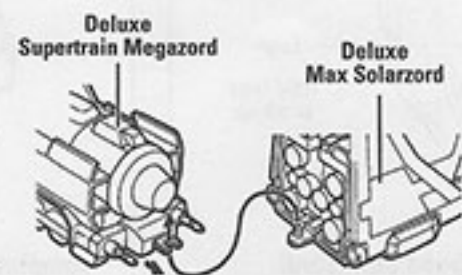


HOW TO CONNECT WITH THE DELUXE SUPERTRAIN MEGAZORD (SOLD SEPARATELY)

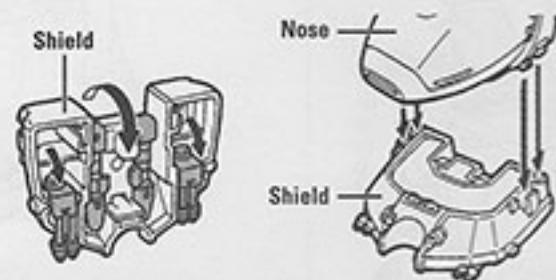
1. Flip the connector on the back of the shuttle as shown.



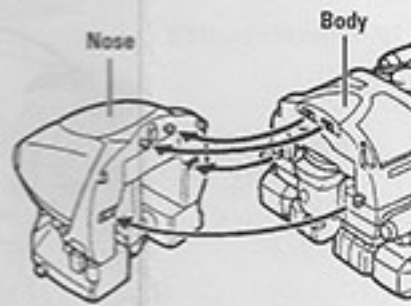
2. Deluxe Max Solarzord can be attached to any Rail Rescue as shown.



4. Transform the shield as shown. Attach shuttle nose to the shield.



5. Attach nose to the body, as shown.



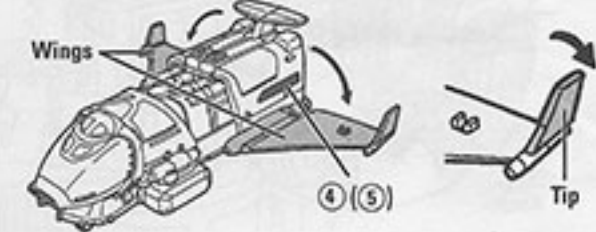
6. Attach to the entire nose to the body as shown.

*Follow the reverse instructions to transform back to Deluxe Max Solarzord.



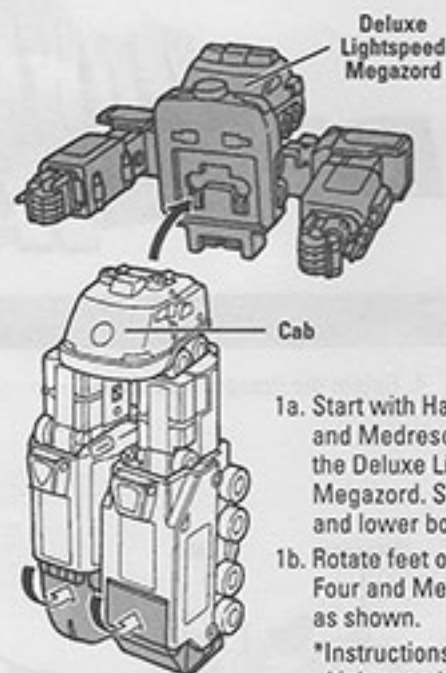
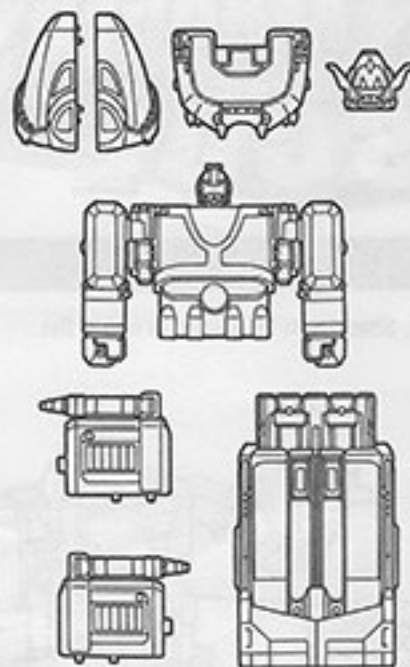
HOW TO TRANSFORM TO FLIGHT MODE

1. Fold wings down for shuttle mode.
2. Make sure the main wings click when closing.
3. To avoid breakage, do not force tip of wings downward.



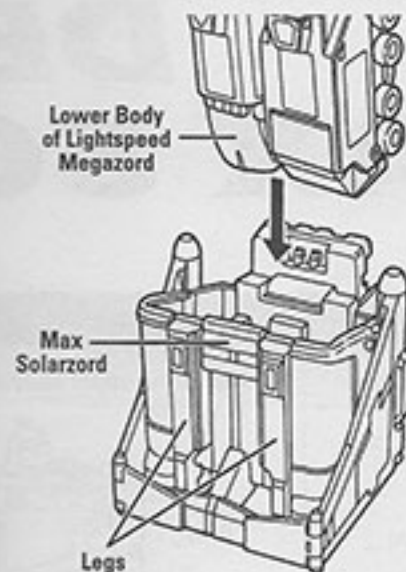
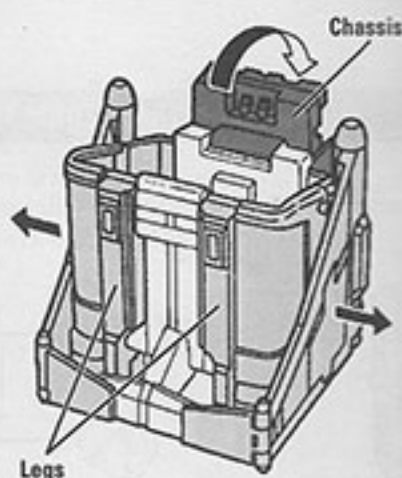
HOW TO COMBINE WITH THE DELUXE LIGHTSPEED MEGAZORD (SOLD SEPARATELY)

Preparation to combine —
Starting from package position.

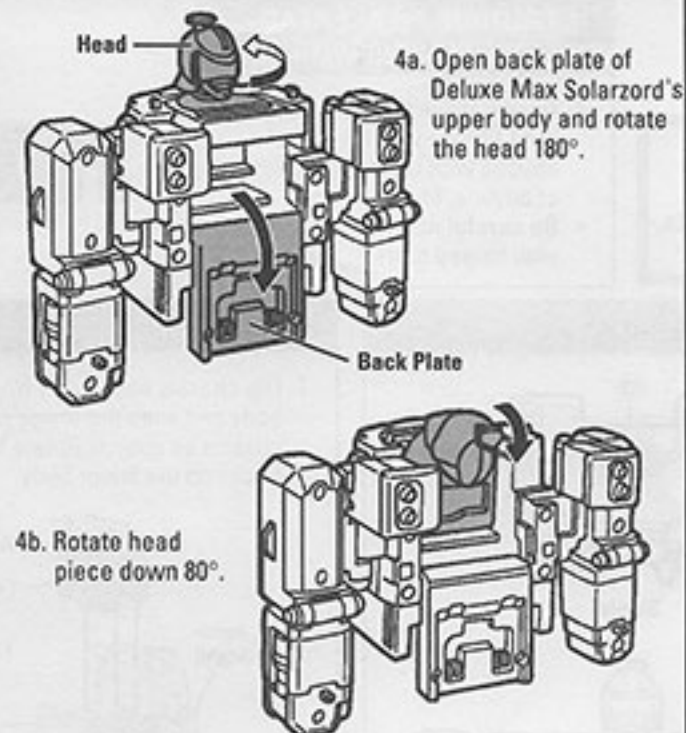


- 1a. Start with Hazrescue Four and Medrescue Five from the Deluxe Lightspeed Megazord. Separate upper and lower body.
- 1b. Rotate feet of Hazrescue Four and Medrescue Five as shown.
- *Instructions for the Deluxe Lightspeed Megazord are not included.

- 2a. Pull legs of Deluxe Max Solarzord to the side.
- 2b. Rotate the chassis to the back until it locks into position.



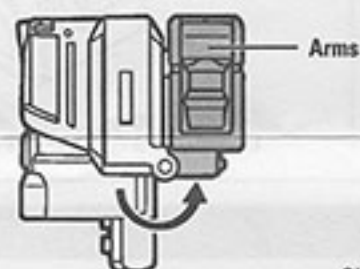
3. Place the lower body of the Deluxe Lightspeed Megazord into the legs of the Deluxe Max Solarzord until it locks into position.



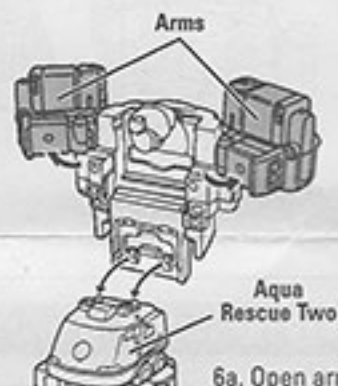
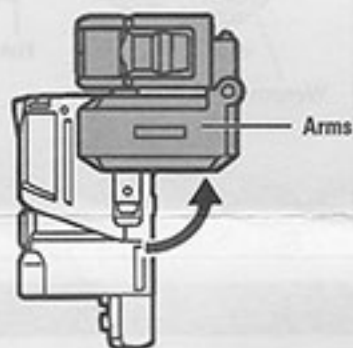
- 4a. Open back plate of Deluxe Max Solarzord's upper body and rotate the head 180°.

- 4b. Rotate head piece down 80°.

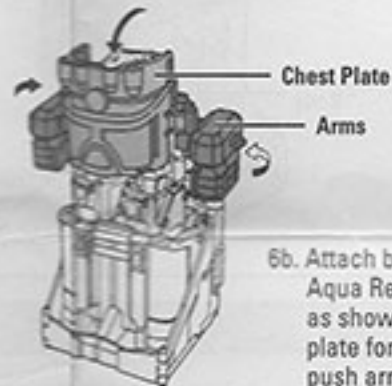
5. Fold both arms in at elbows.
Rotate both arms up 90° upwards as shown.



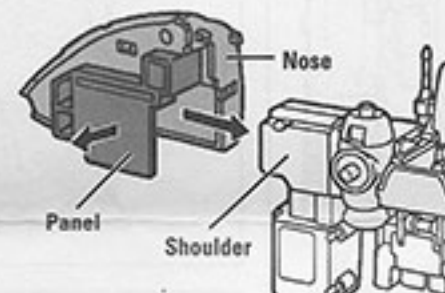
Side View



- 6a. Open arms to side.

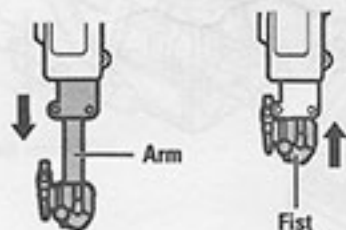


- 6b. Attach back plate to Aqua Rescue Two as shown. Fold chest plate forward and push arms to the side.

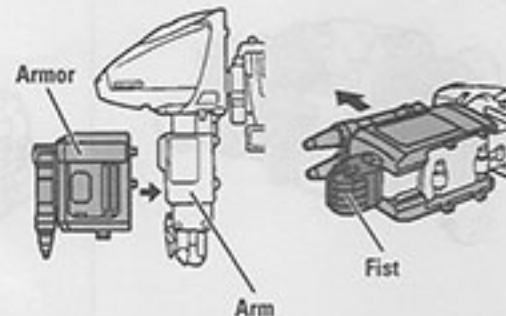


7. Slide the panel of the shuttle nose outside and attach over each shoulder of Deluxe Megazord as shown.

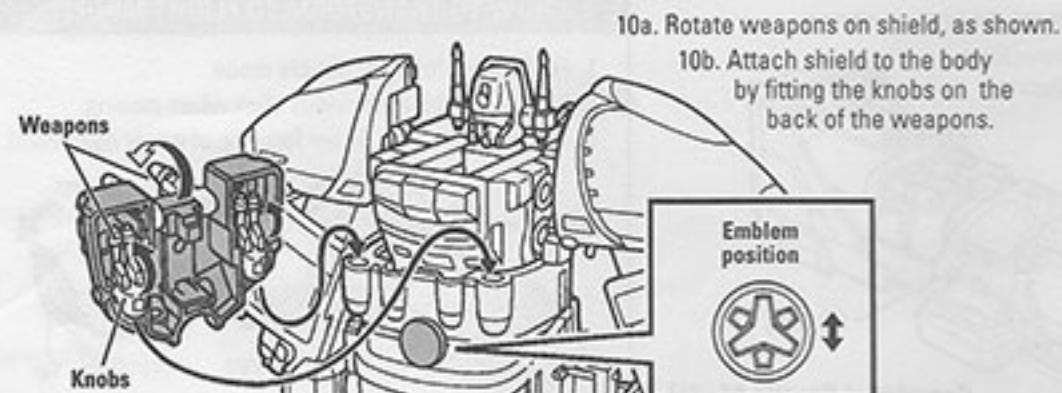
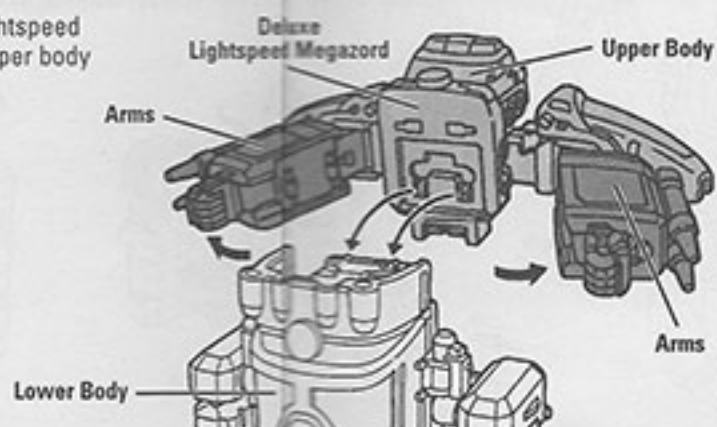
- 8a. Extend arms of Deluxe Lightspeed Megazord.
Push only the fists back inside.



- 8b. Attach armor on both arms. Hold fists when detaching armor.

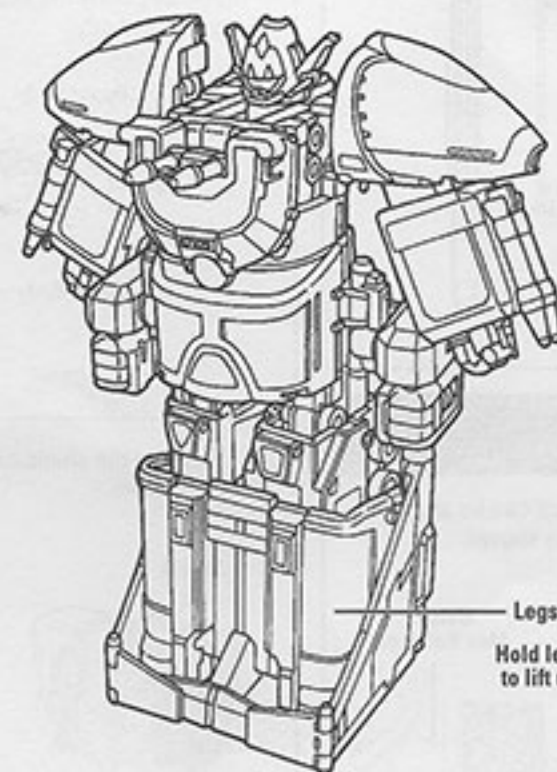


9. Open arms of Deluxe Lightspeed Megazord and attach upper body onto lower as shown.



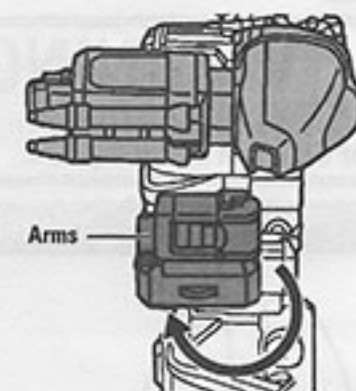
- 10a. Rotate weapons on shield, as shown.
- 10b. Attach shield to the body by fitting the knobs on the back of the weapons.

- 11a. Fold antennae of Deluxe Lightspeed Megazord 90° forward.
- 11b. Attach mask over Deluxe Lightspeed Megazord's head, as shown.



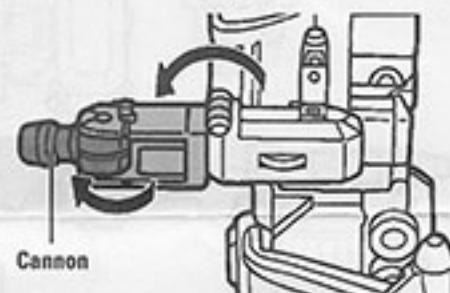
Completed Deluxe Lightspeed Solarzord!

HOW TO TRANSFORM TO ULTIMATE RESCUE MODE

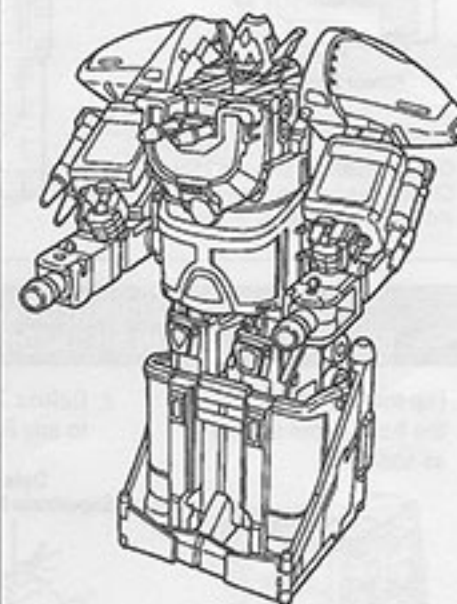


1. Turn both arms of the Deluxe Max Solarzord as shown.

2. Rotate arms 180° out and rotate cannons out as shown.



Cannon



Completed Ultimate Rescue Mode!