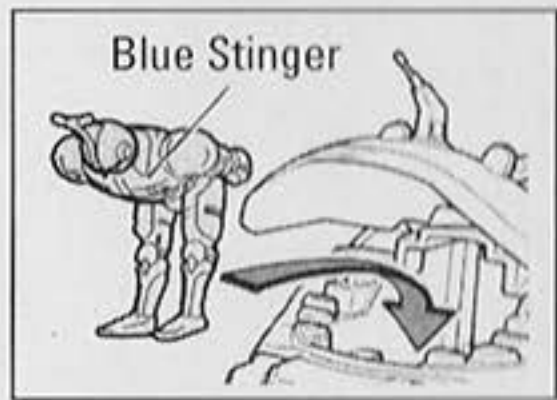
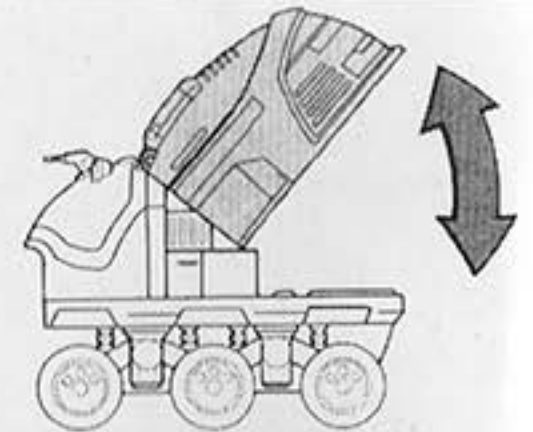
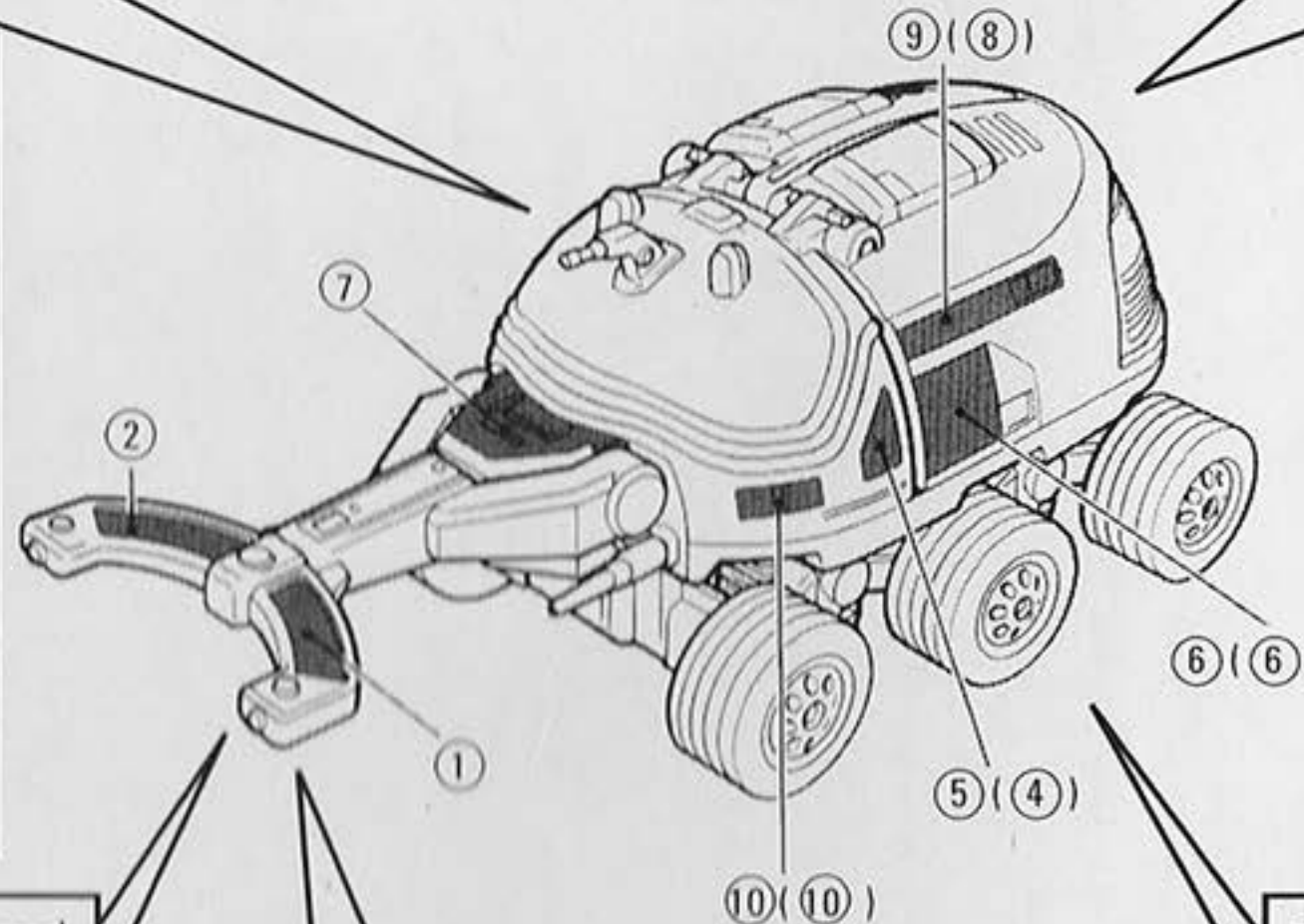


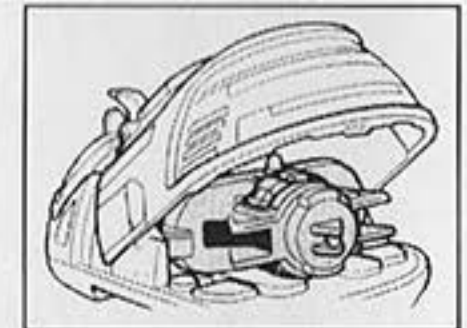
Open the Front Hatch and place the BLUE STINGER BEETLEBORG in the cockpit, as shown below.



The numbers shown in the circles below are sticker numbers. Circled numbers in parentheses indicate the sticker goes on the opposite side.

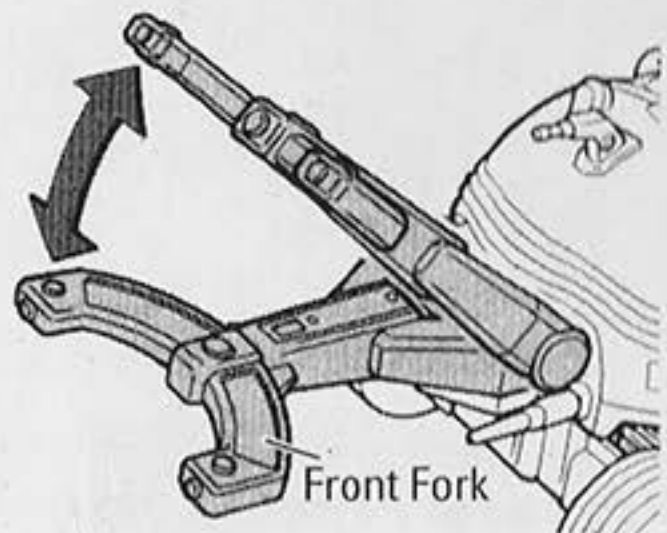


You can store the GREEN HUNTER AV's Drill attachment* in the back compartment of the BLUE STINGER AV.

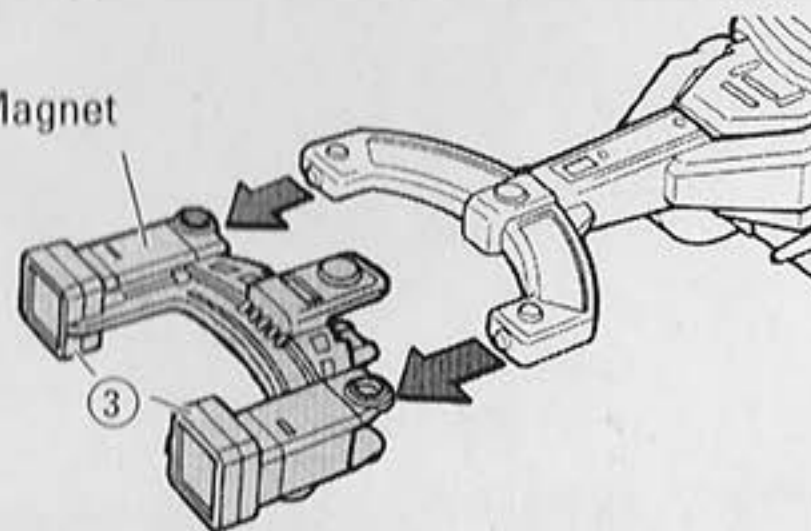


*The GREEN HUNTER AV is sold separately.

You can rotate the Front Fork up and down, as shown.



Magnet



Attach the Magnet to the Front Fork, as shown.

The BLUE STINGER AV's cab sits on a very flexible suspension system that allows it to rock back and forth.

