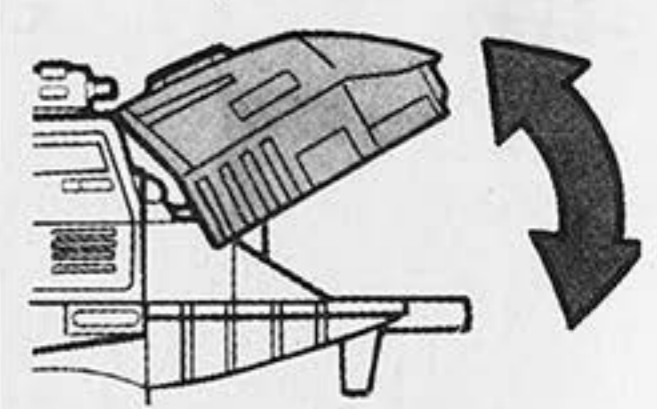
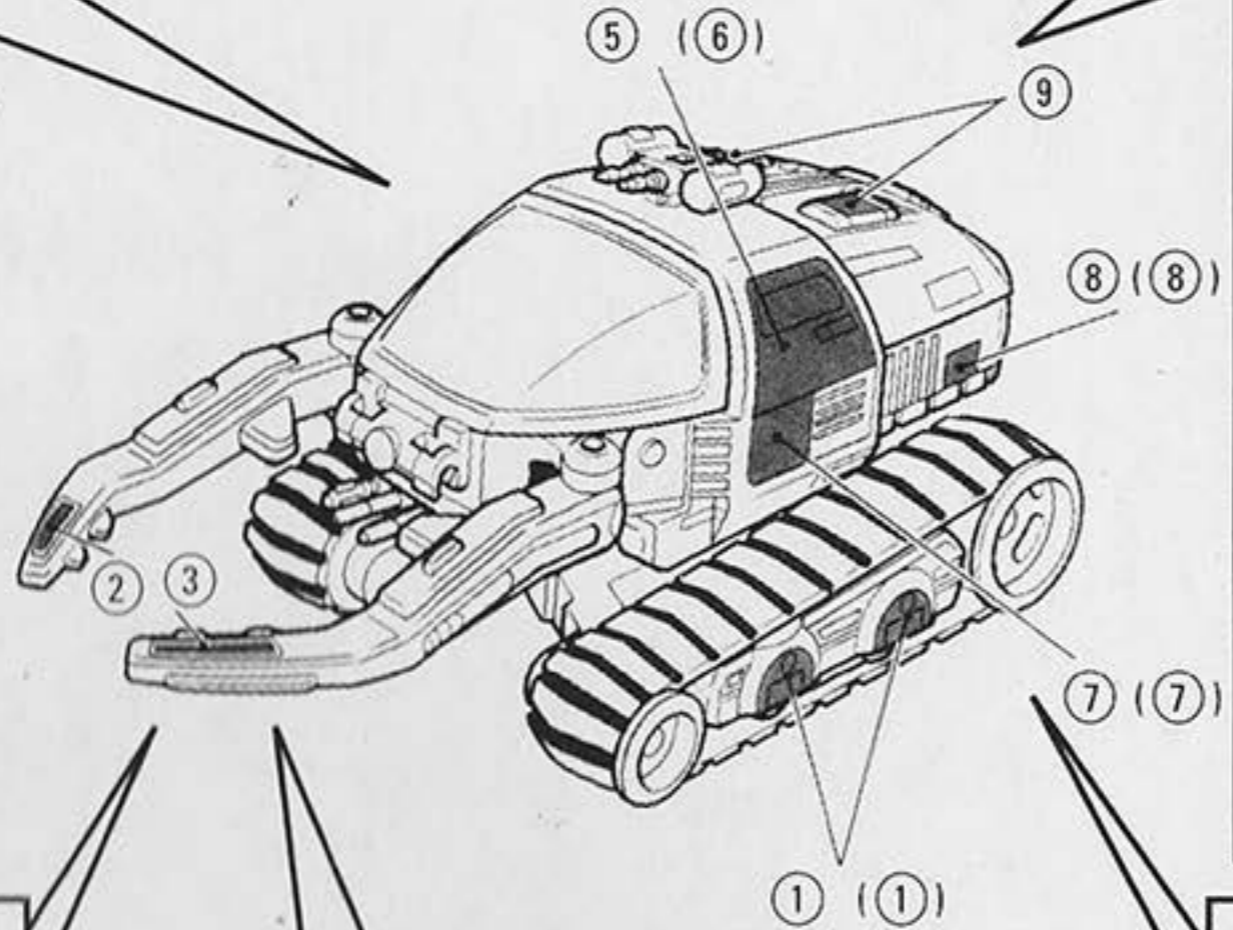




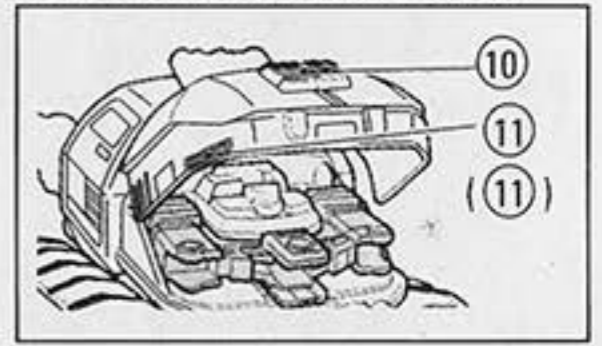
Open the Front Hatch and place the GREEN HUNTER BEETLEBORG in the cockpit, as shown below.



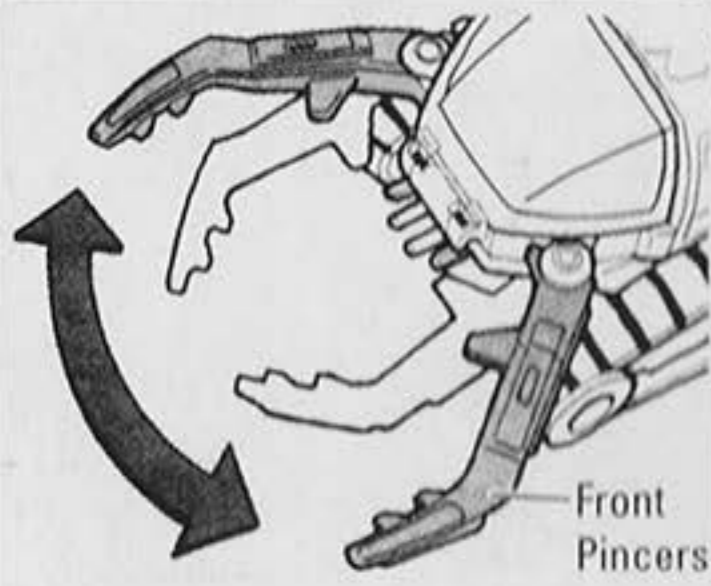
The numbers shown in the circles below are sticker numbers. Circled numbers in parentheses indicate the sticker goes on the opposite side.



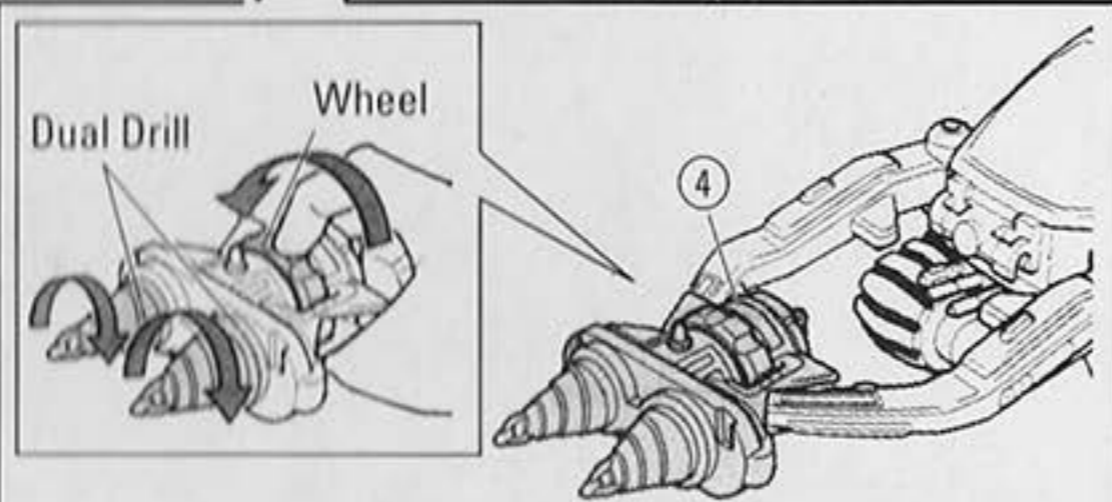
You can store the BLUE STINGER AV's Magnet* in the back compartment of the GREEN HUNTER AV, as shown below.



*The BLUE STINGER AV is sold separately.



The Front Pincers open and spring shut, as shown above.



Attach the Dual Drill between the Front Pincers. You can rotate the drills by turning the Wheel, as shown in the inset on the left.

The cab of the GREEN HUNTER AV automatically raises when you pull back on the Lever under the rear of the cab, as shown below.

