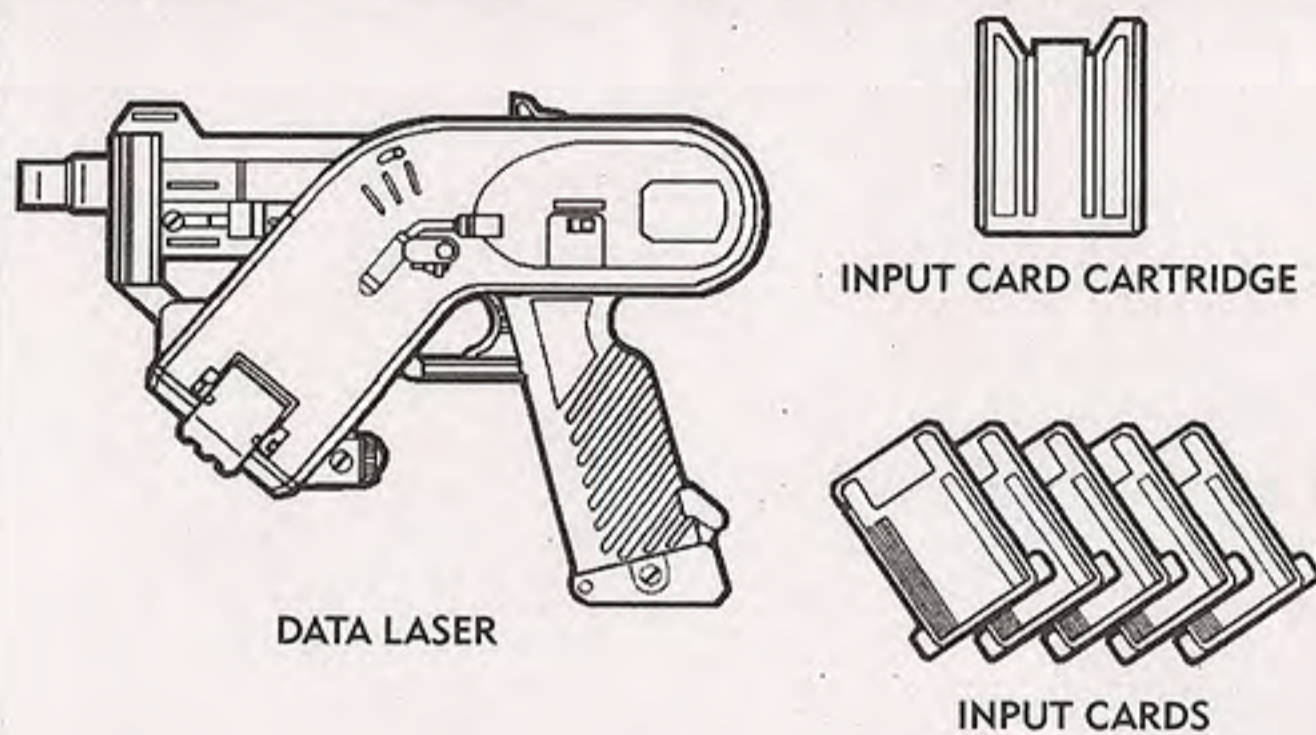
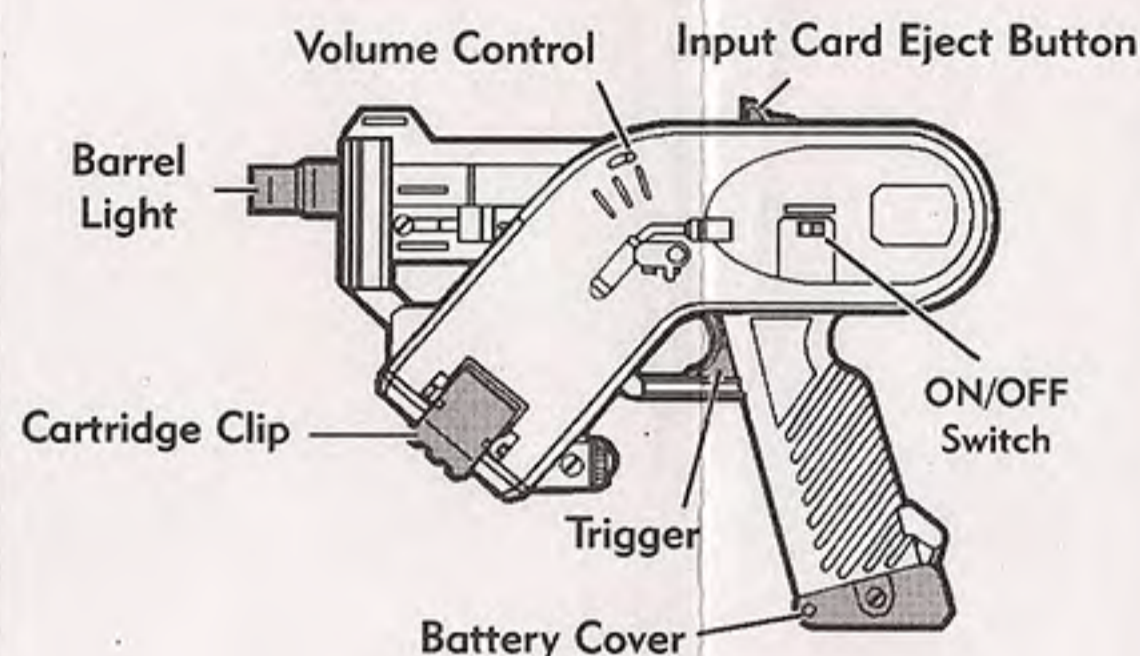


The numbers in the rectangles indicate the order of the instruction steps.

MAIN ELEMENTS

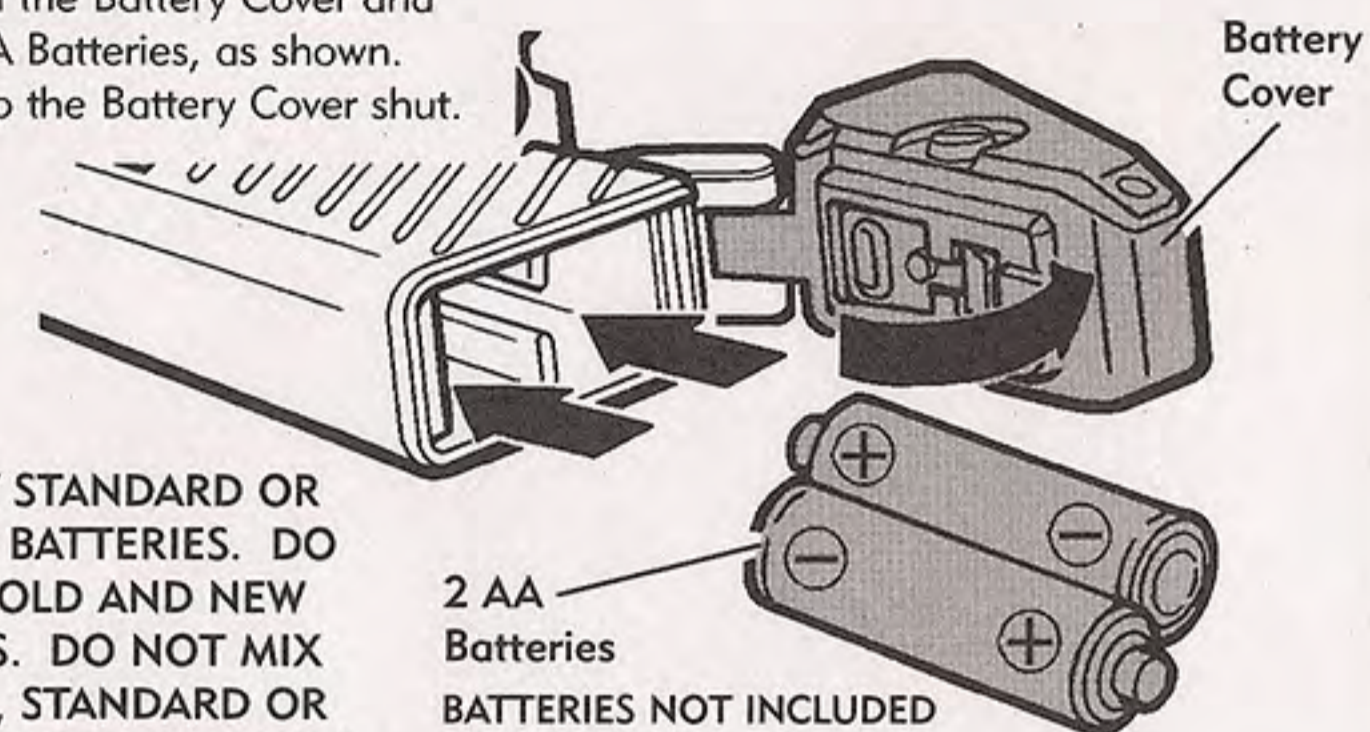


NAMES OF DATA LASER PARTS



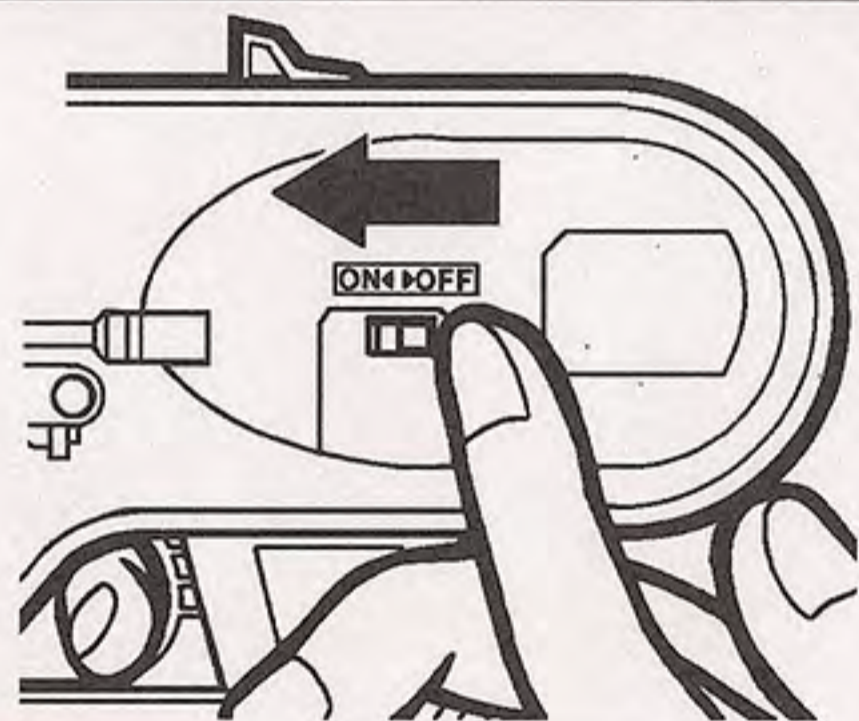
BATTERY INSTALLATION

Snap open the Battery Cover and insert 2 AA Batteries, as shown. Then, snap the Battery Cover shut.

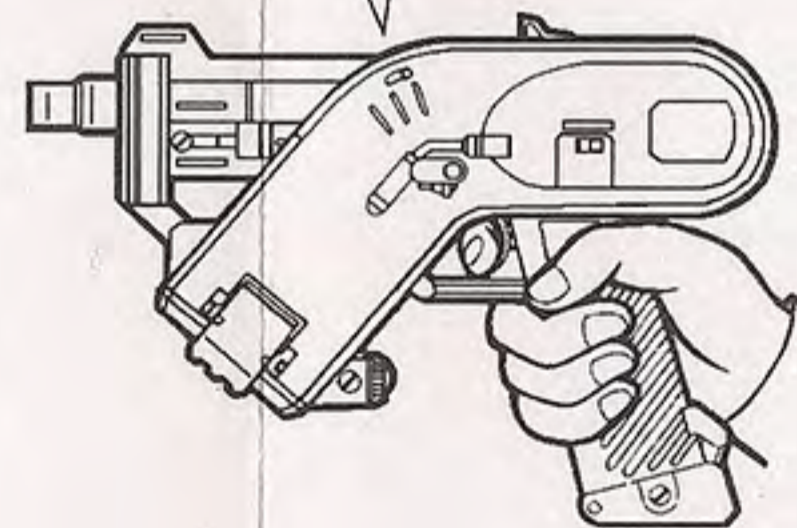
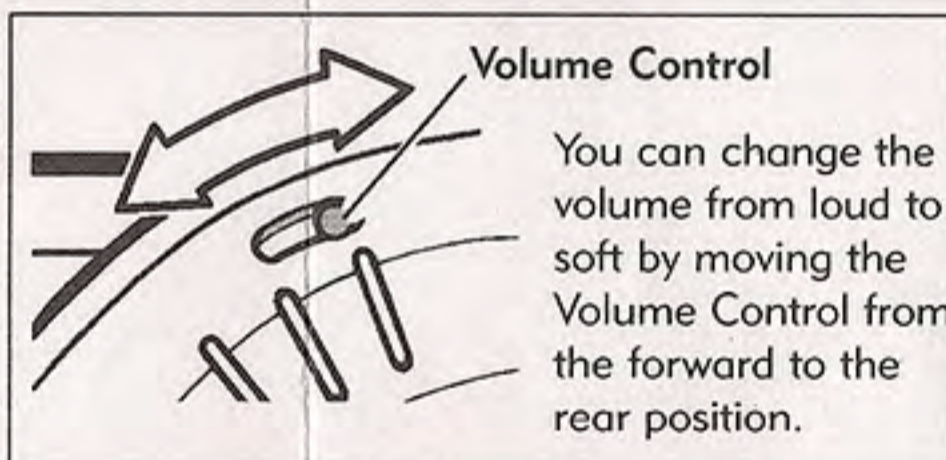


USE ONLY STANDARD OR ALKALINE BATTERIES. DO NOT MIX OLD AND NEW BATTERIES. DO NOT MIX ALKALINE, STANDARD OR RECHARGEABLE BATTERIES.

HOW TO PLAY WITH THE DATA LASER

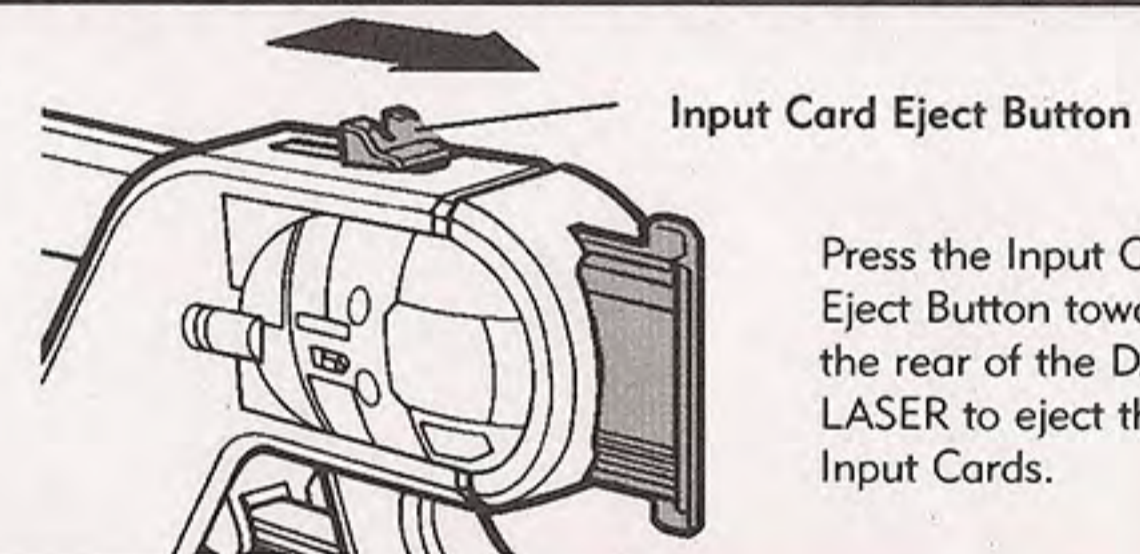


- 1 To turn the DATA LASER on, press the ON/OFF Switch to the on position, as shown by the arrow on the left. You will hear a sound effect.

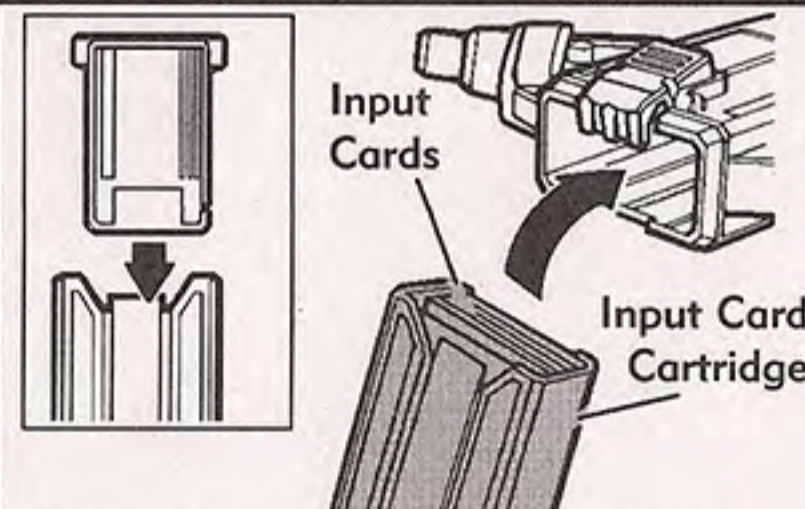


- 3 Pull and hold the Trigger to activate the DATA LASER's sound effects and Nozzle Light. Each Input Card creates its own unique sound effect.

HOW TO EJECT THE INPUT CARDS

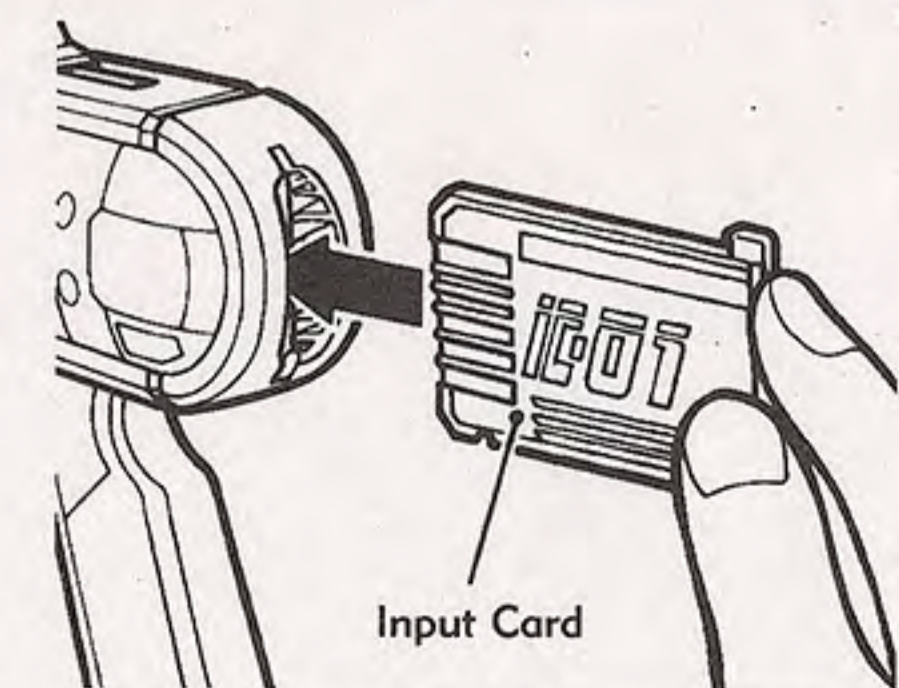
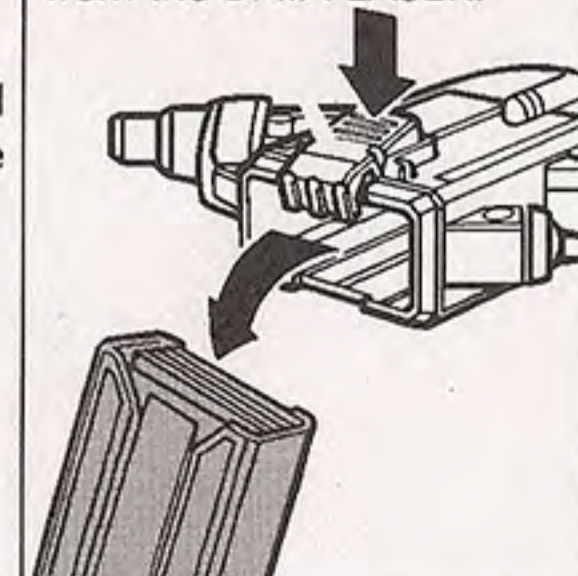


HOW TO USE THE CARD CARTRIDGE



You can store the Input Cards in the Input Card Cartridge, as shown in the inset above. Insert the Cartridge into the front of the DATA LASER. The Cartridge Clip will lock it in place.

Press down the back of the Cartridge Clip to release the Input Card Cartridge from the DATA LASER.



- 2 Insert one of the Input Cards into the back of the DATA LASER, as shown. Each card makes a special sound when inserted into the DATA LASER.