

SABAN'S  
BEETLEBORGS  
METALLIX™

## ASTRAL SWORD™ INSTRUCTIONS

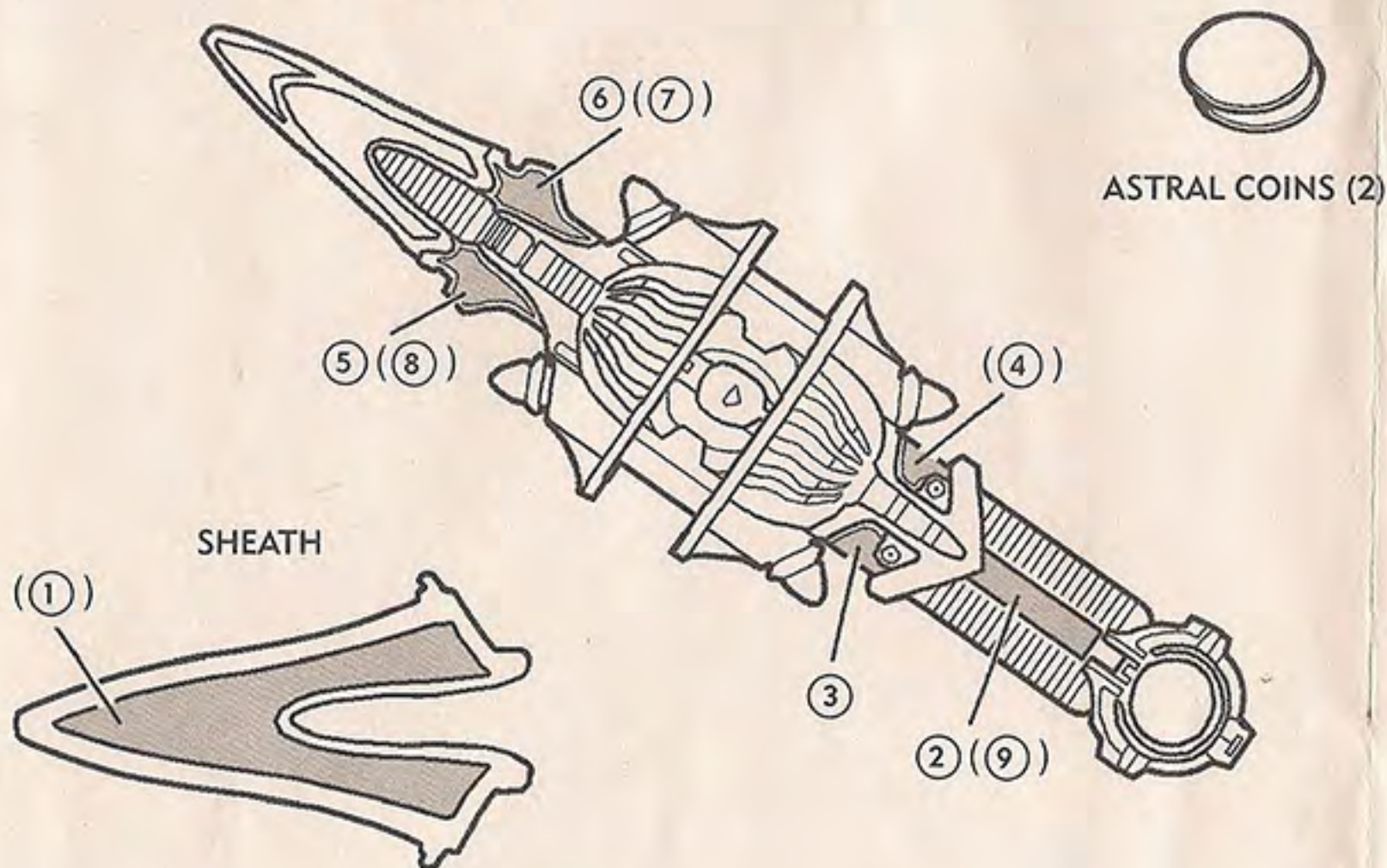
The numbers in circles are sticker numbers.



**WARNING:**  
CHOKING HAZARD - Small parts.  
Not for Children under 3 years.

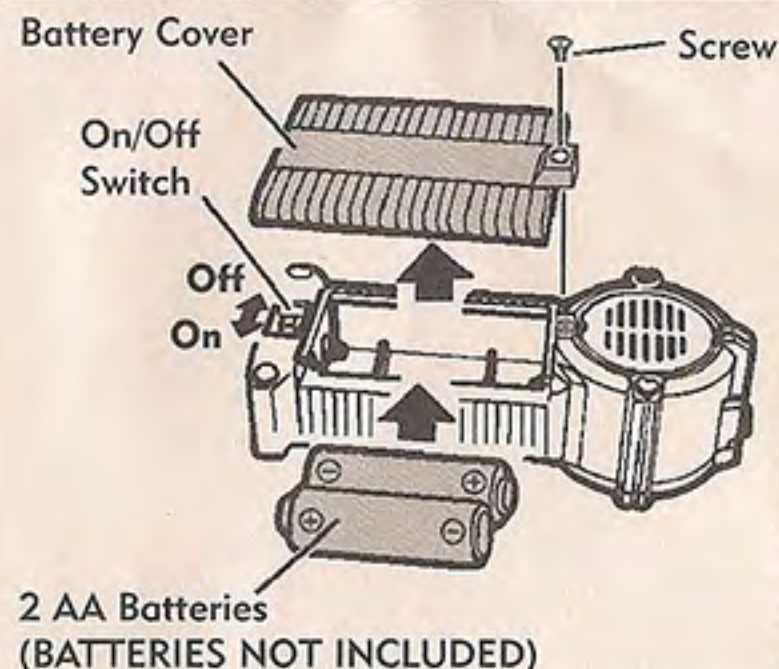
### MAIN ELEMENTS/STICKER PLACEMENT

ASTRAL SWORD



SHEATH

### BATTERY INSTALLATION

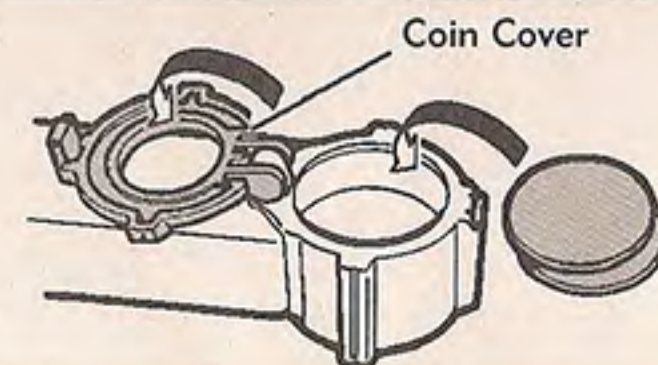


To replace the batteries, unscrew and remove the Battery Cover. Insert 2 AA Batteries, as shown, and reattach the Battery Cover.

USE ONLY STANDARD OR ALKALINE BATTERIES. DO NOT MIX OLD AND NEW BATTERIES. DO NOT MIX ALKALINE, STANDARD OR RECHARGEABLE BATTERIES. CAUTION: Batteries may be harmful or fatal if swallowed.

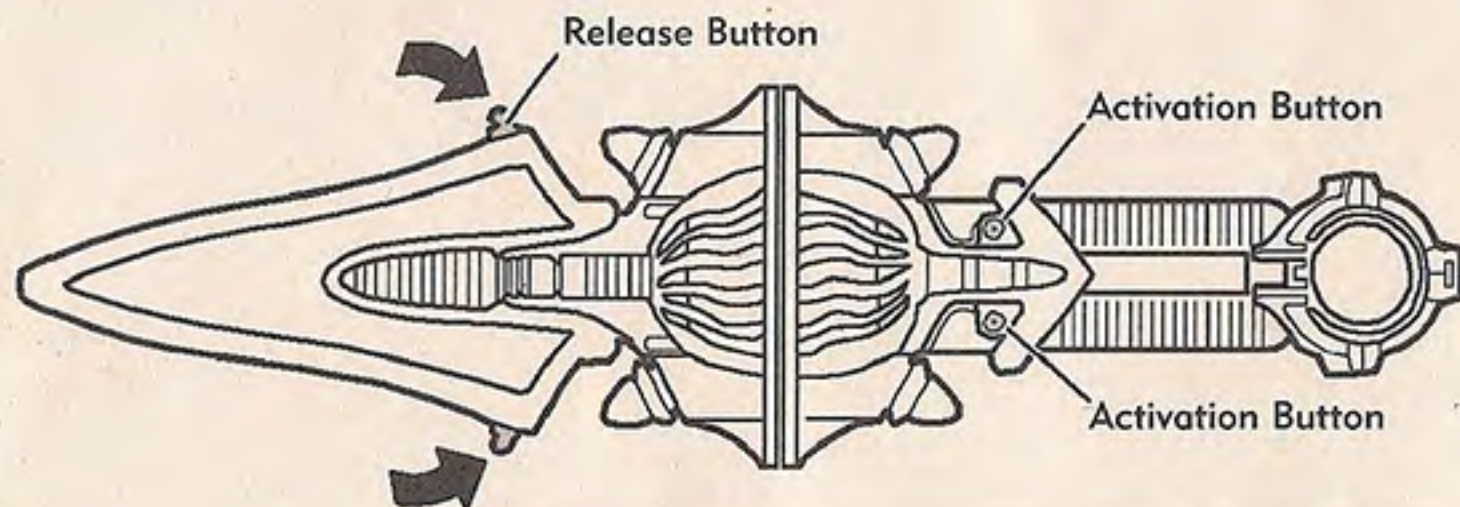
### STORING THE ASTRAL COINS

To store the ASTRAL COINS in the ASTRAL SWORD handle, unlatch the Coin Cover and place the coins in the compartment. Then, close the Coin Cover and snap it shut.



### HOW TO PLAY WITH THE ASTRAL SWORD

To remove the Sheath from the ASTRAL SWORD blade, Press in the two Release Buttons and pull the Sheath off.



To activate the ASTRAL SWORD's lights and sound effects, pull the two halves of the sword apart, as shown. The ASTRAL SWORD's lights will flash, and you will hear the first sound effect. Press one of the Activation Buttons to hear a different sound effect. Press the other Activation Button to hear a new sound effect.

